

REVISIONS				
REV.	DESCRIPTION	ECN	DATE	APPROVED
B	REFER TO ECN	13064	03/25/15	KAD

MAXIMUM CHARACTERISTICS

GENERAL DESCRIPTION:

Transtector's CPX Series T1/E1 surge protection module is engineered for high performance, compact, versatile surge protection of equipment used for communications circuits. The modules can be configured in a 1RU 19" rack chassis (23" rack adapter available) with up to 16 protection modules, or in a wall mount chassis with up to 4 protection modules; all input/output connections are on the front face. The CPX Series Protection Module employs a hybrid protection solution comprised of high-energy gas discharge tube technology and low-capacitance transient blocking technology. The protection module has been tested to the Telecommunications Port Level I & II Lightning Requirements as well as Severe Climatic Conditions as outlined in Telcordia GR-1089-CORE. The module employs a standard 500mA telecom fuse and is UL/CSA 497A and IEC/ANSI/UL/CSA 60950 compliant. The CPX T1/E1 module is certified for use in Hazardous Locations.

ELECTRICAL:

Data Rate: 1.544/2.048 Mb/s
 Nominal Operating Voltage: 5 Vdc
 Maximum Continuous Operating Voltage: 11 Vdc
 Connector Style: RJ-45, Unshielded, Cat5
 Maximum Capacitance per Pin: 3 pF
 Maximum DC Series Resistance: 9Ω
 Protected Pins: (1,2) & (4,5)
 Unprotected Pins (Shorted to Ground) (3,6) & (7,8)
 Nominal Gas Tube Spark Over Voltage: 75 Vpeak
 Nominal Transient Blocking Current Threshold: 280 mA
 Surge Suppression Levels, per Telcordia GR-1089-CORE:
 10/360μs 1st Level Lightning (25 repetitions): 100 A
 2/10μs 2nd Level Lightning (1 repetition): 500 A
 8/20μs Severe Climatic Conditions (1 repetition): 20 kA

MECHANICAL:

Face Plate Material: 12 gauge (.08") aluminum, beige powder coat
 Weight: 0.1 lb [0.045 kg]
 Module Dimensions: 3.08 x 1.63 x 0.99" [78 x 41 x 25mm]
 Chassis Options:
 1101-972 CPX HOUSING ASSY 16 UNIT
 1101-1137 CPX WALL MOUNT 4 UNIT

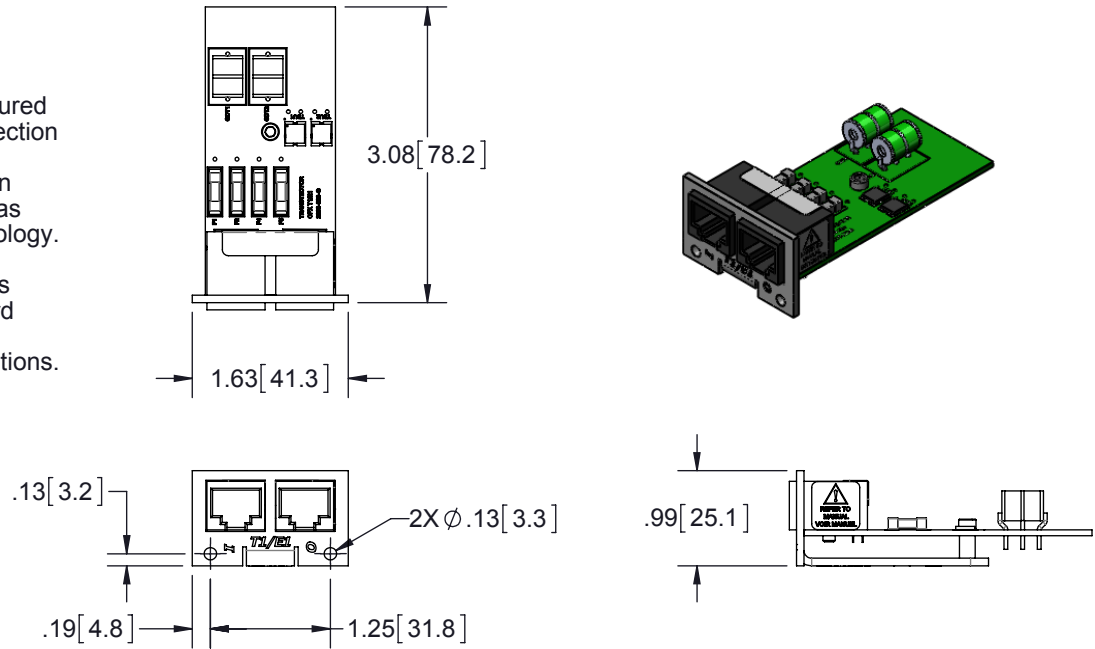
ENVIRONMENTAL:

Operating/Storage Temperature: -40°C to +65°C
 Relative Humidity: 99% (non-condensing)

APPROVALS:

UL/CSA 497A
 IEC/ANSI/UL/CSA 60950 compliant
 Hazardous Location Certifications: ETL Class 1 Div 2
 Class 1 Zone 2, ATEX (ITS14ATEX48147X),
 IECEx (IECEx ETL 14.0041X) (See Figure 1)

THESE COMMODITIES, TECHNOLOGY OR SOFTWARE WERE EXPORTED FROM THE UNITED STATES IN ACCORDANCE WITH THE EXPORT ADMINISTRATION REGULATIONS. DIVERSION CONTRARY TO U.S. LAW PROHIBITED.



Class I Division 2 Groups A,B,C,D T8
Class I Zone 2 AEx nA nC IIC T8 Gc
Class I Zone 2 Ex nA nC IIC T8 Gc
CE Ex II 3 G Ex nA nC IIC T8 Gc
Ex nA nC IIC T8 Gc
-40°C ≤ Tamb ≤ +65°C

Figure 1: Hazardous Locations

ALL DIMENSIONS SHOWN ARE FOR REFERENCE ONLY.

<small>UNLESS OTHERWISE SPECIFIED LEADING DIMENSIONS ARE INCHES DIMENSIONS IN [] ARE MILLIMETERS</small> TOLERANCES: FRACTIONS=± 1/32 .XX=± .01 ANGLES=± 1° .XXX=± .005 <small>NOTICE: THE INFORMATION AND DESIGN IN THIS DOCUMENT IS THE PROPERTY OF TRANSTECTOR SYSTEMS. ALL RIGHTS RESERVED.</small>	DRAWN HMB DATE 11/7/2014		SHEET 1 OF 1			
	ENG APPD KAD DATE 12/01/2014		SCALE 1:2			
	PRODUCT MGR VD DATE 12/8/14		TITLE CPX SERIES T1/E1 PROTECTION MODULE <small>CUSTOMER SPECIFICATION</small>			
	MARKETING APPD LJ DATE 12/11/2014		PROJECT NO. DOCUMENT NAME 1000-1269-C	SIZE A	CAGE 30992	PROD CAT DST

