

# MHBD-FOK1A-0020M

---

Hardened Multifiber Optical Connector (HMFOC) cable assembly, HMFOC plug to 12 LC/UPC, 20 Meters

## Product Classification

<b>Portfolio</b>	CommScope®
<b>Product Type</b>	Fiber drop cable assembly
<b>Product Series</b>	MHBD

## General Specifications

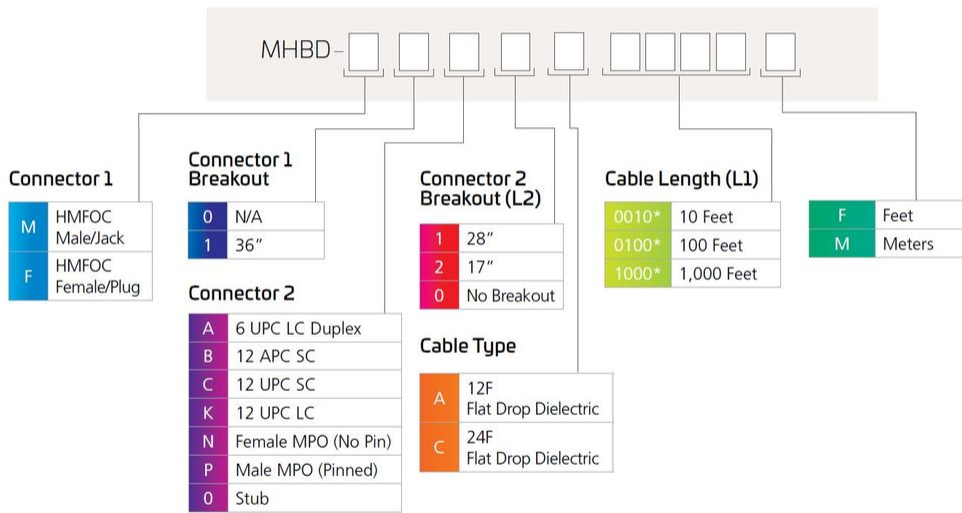
<b>Color, boot A</b>	Black
<b>Color, boot B</b>	Blue
<b>Color, connector A</b>	Black
<b>Color, connector B</b>	Blue
<b>Connector A, quantity</b>	1
<b>Connector B, quantity</b>	12
<b>Interface, Connector A</b>	Hardened multi-fiber (HMFOC) plug
<b>Interface, Connector B</b>	LC/UPC
<b>Jacket Color</b>	Black
<b>Total Fibers, quantity</b>	12

## Dimensions

<b>Height Over Jacket</b>	4.5 mm   0.177 in
<b>Cord Length</b>	20 m   65.617 ft
<b>Diameter Over Jacket</b>	8 mm   0.315 in

## Ordering Tree

# MHBD-FOK1A-0020M



## Material Specifications

**Jacket Material** Dielectric - Flat

## Mechanical Specifications

**Minimum Bend Radius, loaded** 88.9 mm | 3.5 in

**Minimum Bend Radius, unloaded** 63.5 mm | 2.5 in

## Optical Specifications

**Fiber Mode** Singlemode

**Fiber Type** G.657.A2

**Insertion Loss, maximum, connector A** 0.45 dB

**Insertion Loss, maximum, connector B** 0.2 dB

# MHBD-FOK1A-0020M

---

<b>Return Loss, minimum, connector A</b>	65 dB
<b>Return Loss, minimum, connector B</b>	55 dB

## Environmental Specifications

<b>Installation temperature</b>	-30 °C to +70 °C (-22 °F to +158 °F)
<b>Operating Temperature</b>	-40 °C to +70 °C (-40 °F to +158 °F)
<b>Storage Temperature</b>	-40 °C to +75 °C (-40 °F to +167 °F)
<b>Environmental Space</b>	Outdoor, buried
<b>Jacket UV Resistance</b>	UV stabilized

## Packaging and Weights

<b>Packaging quantity</b>	1
---------------------------	---