

BUBBLE (TRANSPARENT OR WHITE OPAQUE)

MOUNTING KEYHOLES

LOCKABLE SLIDING LID

SKU:

ventev

A Division of Tessco Technologies Incorporated

TITLE:
Right Angle Wall Mount

DWG. NO.
VN180080

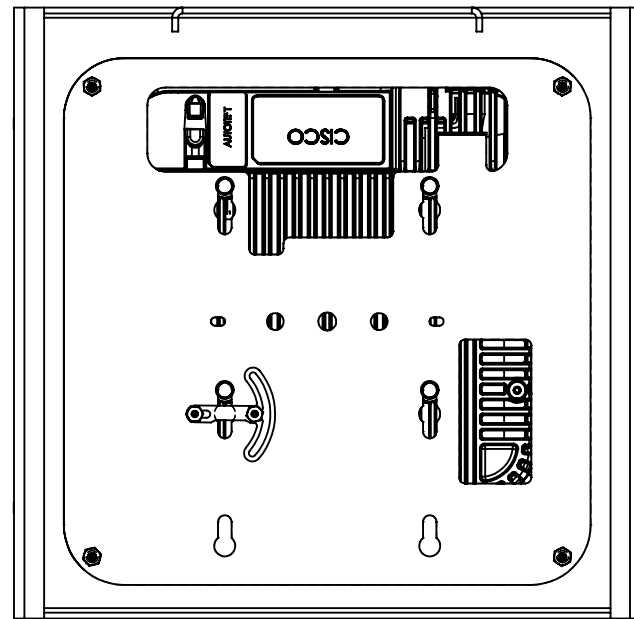
REV
0

DO NOT SCALE DRAWING SCALE: 1:4 SHEET 1 OF 2

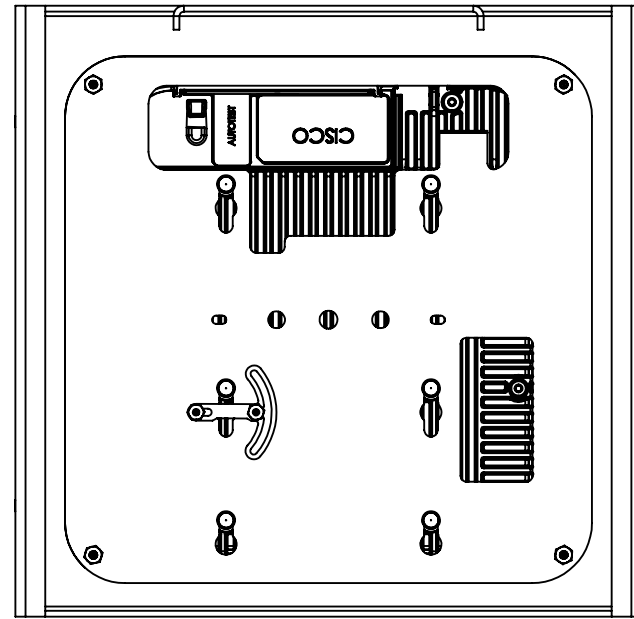
UNLESS OTHERWISE SPECIFIED:	DRAWN	Powells	Nov 08, 2018
TOLERANCES: ±.XX = ± ±.XXX = ± ±.XXXX = ± ±X.X° = ±°	RESP ENG		
CAD FEATURES ARE BASIC: [Symbol] .005 [A] [B] [C]	APPR.		
DIMENSIONS ARE IN INCHES DIMENSIONS IN [] ARE IN MM INTERPRET GEOMETRIC TOLERANCING PER ANSI Y14.5 - 2009	APPR.		
3RD ANGLE PROJECTION [Symbol]	MATERIAL:		
	FINISH:		
	SIZE	CAGE CODE	
	B	8J168	

CONFIDENTIAL AND PROPRIETARY
THE INFORMATION CONTAINED HEREIN IS THE CONFIDENTIAL AND THE EXCLUSIVE PROPERTY OF TESCO TECHNOLOGIES INCORPORATED. THIS DOCUMENT, AND THE INFORMATION CONTAINED HEREIN, SHALL NOT BE COPIED, REPRODUCED, PUBLISHED, DISPLAYED OR DISTRIBUTED, IN WHOLE OR IN PART IN ANY MEDIUM, BY ANY MEANS, FOR ANY PURPOSE WITHOUT THE EXPRESS WRITTEN CONSENT OF TESCO TECHNOLOGIES INCORPORATED.
©2010 TESCO TECHNOLOGIES INCORPORATED
ALL RIGHTS RESERVED

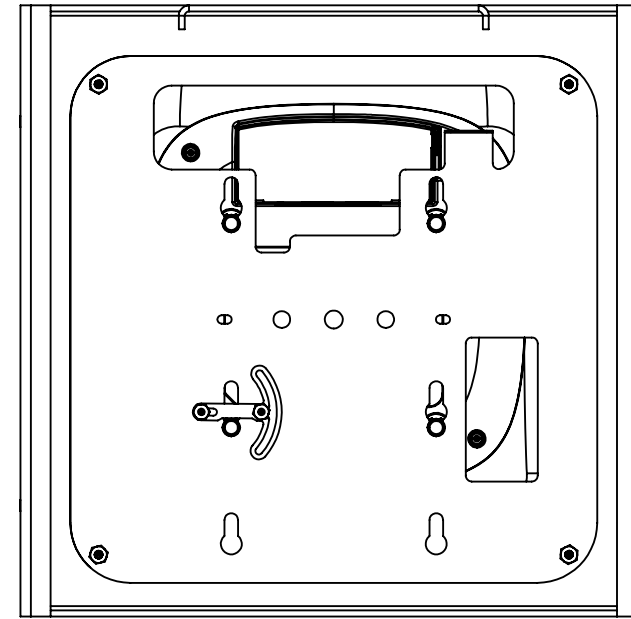
BACKPLATE ACCOMODATES ARUBA AP-515, AP-535 & CISCO 3800, 4800, 9115, 9117, 9120, 9130



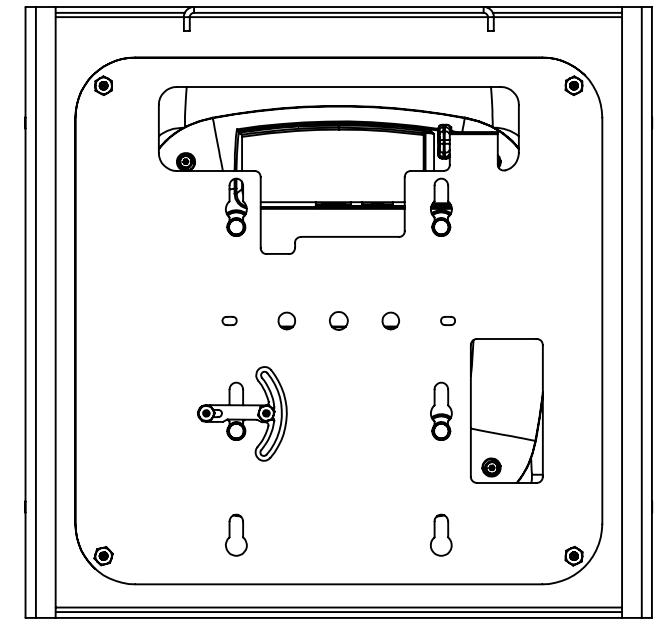
3800



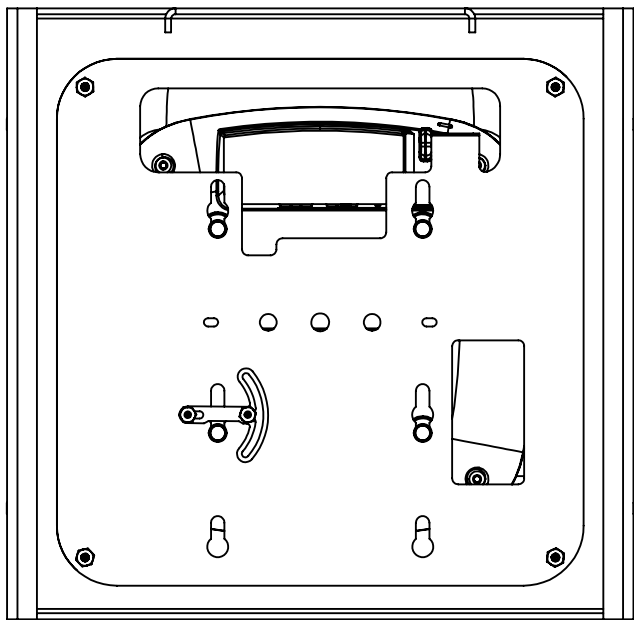
4800



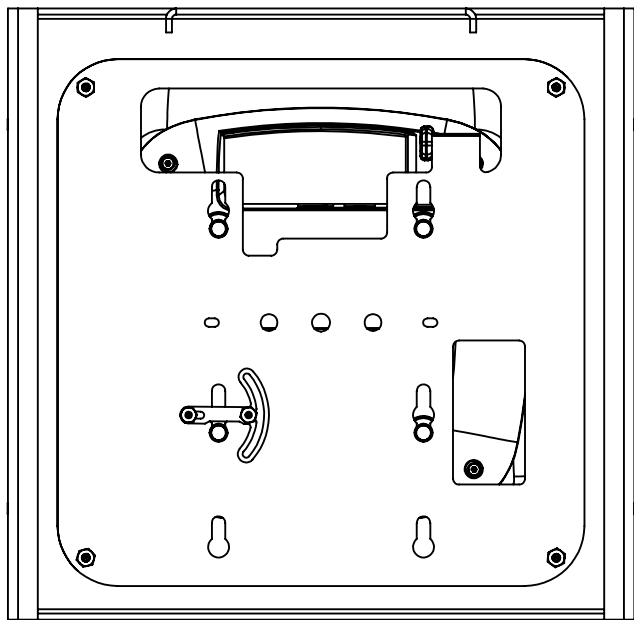
9115



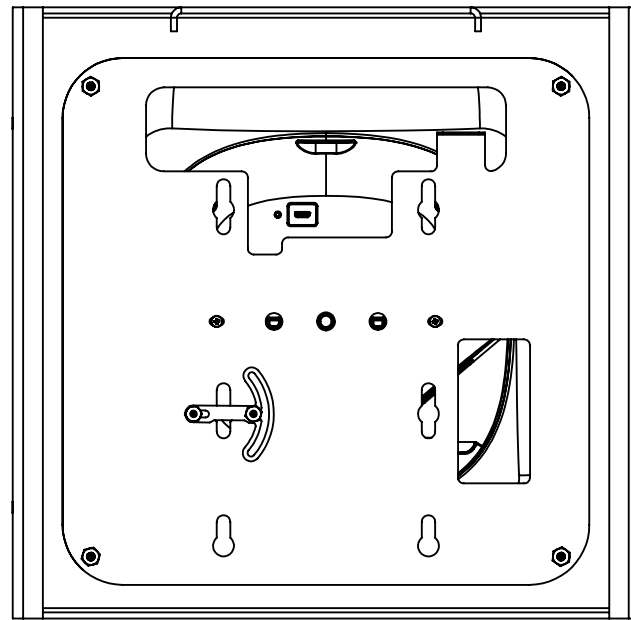
9117



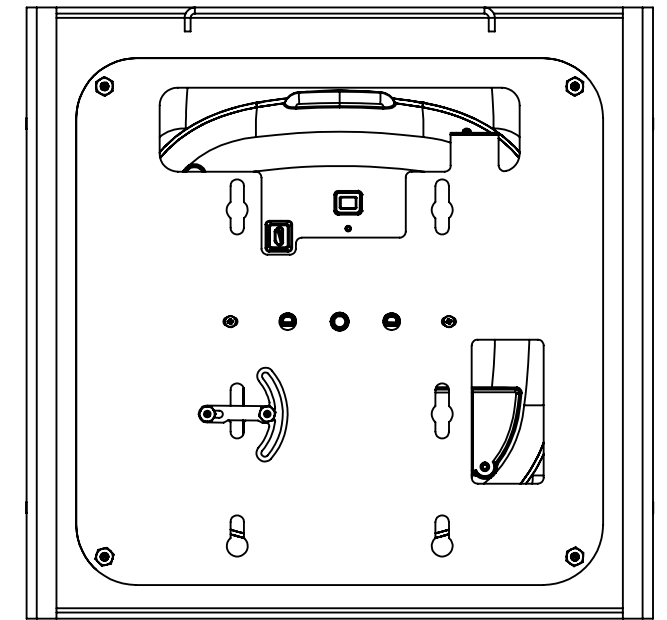
9130



9120



AP-515



AP-535 SKU:

CONFIDENTIAL AND PROPRIETARY
 THE INFORMATION CONTAINED HEREIN IS THE CONFIDENTIAL AND THE EXCLUSIVE PROPERTY OF TESCO TECHNOLOGIES INCORPORATED. THIS DOCUMENT, AND THE INFORMATION CONTAINED HEREIN, SHALL NOT BE COPIED, REPRODUCED, PUBLISHED, DISPLAYED OR DISTRIBUTED, IN WHOLE OR IN PART IN ANY MEDIUM, BY ANY MEANS, FOR ANY PURPOSE WITHOUT THE EXPRESS WRITTEN CONSENT OF TESCO TECHNOLOGIES INCORPORATED.
 ©2010 TESCO TECHNOLOGIES INCORPORATED
 ALL RIGHTS RESERVED

UNLESS OTHERWISE SPECIFIED:	DRAWN	Powells	Nov 08, 2018
TOLERANCES: ±.XX = ± ±.XXX = ± ±.XXXX = ± ±X.X° = ±°	RESP ENG		
CAD FEATURES ARE BASIC: DIMENSIONS ARE IN INCHES DIMENSIONS IN [] ARE IN MM INTERPRET GEOMETRIC TOLERANCING PER ANSI Y14.5 - 2009	APPR.		
3RD ANGLE PROJECTION	MATERIAL:		
	FINISH:		
	SIZE	CAGE CODE	
	B	8J168	

A Division of Tessco Technologies Incorporated	
TITLE: COMPLETE ASSEMBLY	
DWG. NO. VN180080	REV 0
DO NOT SCALE DRAWING	SCALE: 1:4 SHEET 2 OF 2