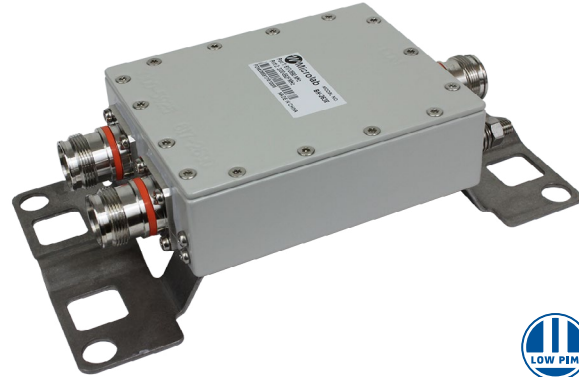


- ◆ Upgrade existing Small Cells & D-RAN sites for 5G with C-band and NR-U
- ◆ 50 dB Input Isolation
- ◆ 200W/100W per port
- ◆ Guaranteed Low PIM
- ◆ Minimal RF Insertion Loss
- ◆ 4.3-10 Connectors
- ◆ IP67 Rated
- ◆ RoHS compliant

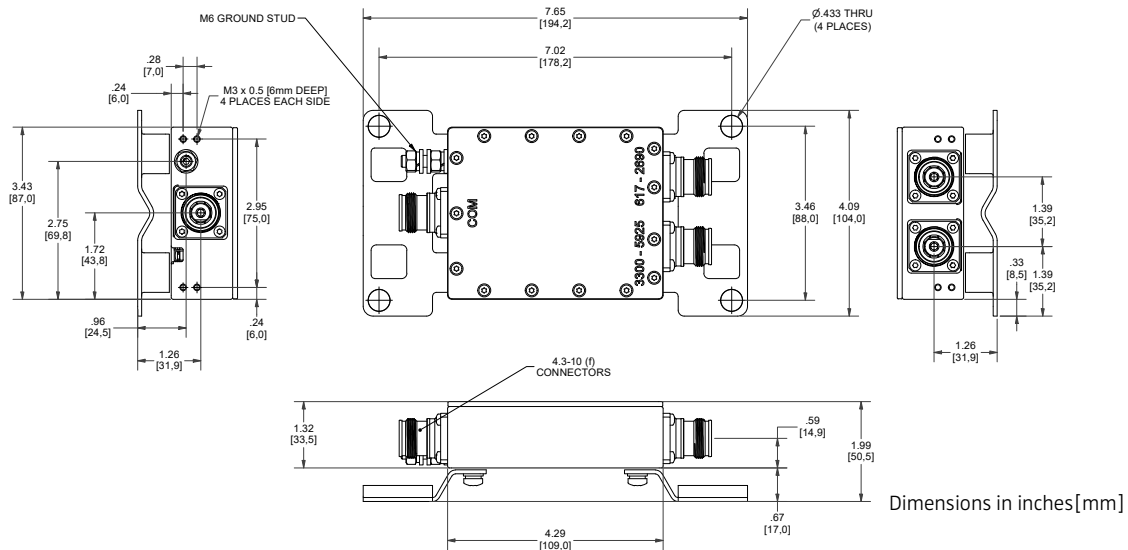


Model No.	Type	Weight lbs (kg)	Dimensions inches [mm]
BK-263E	Single	2.17 [1.0]	4.29 x 3.43 x 1.32 [109.0 x 87.0 x 33.5]
BK-263EW	Dual	4.41 [2.0]	4.29 x 3.43 x 2.69 [109 x 87 x 68.4]
BK-263EQ	Quad	8.82 [4.0]	4.29 x 3.43 x 5.44 [109 x 87 x 138.3]

Microlab BK-263E is a diplexer that enables the injection or splitting of the RF signals in 617-2690 MHz and 3300-5925 MHz. It allows efficient combining or splitting cellular bands for C-band and NR-U 5G carrier aggregation in small cells or distributed RANs. The inputs are well isolated and have minimal insertion loss over their respective frequency bands to minimize band inter-reaction. Attention to mechanical design ensures it guarantees prolonged low passive intermodulation. Dual & Quad mounted configuration for 2x2 & 4x4 MIMO applications is available as BK-263EW and BK-263EQ.

Frequency Bands:	
Port 1:	617-960/1695-2690 MHz
Port 2:	3300-4200/5150-5925 MHz
PIM:	<-161 dBc (-118 dBm) (Test 2x +43dBm tones @ ambient)
Return Loss:	18 dB min., 617-5900MHz 15 dB min., 5900-5925MHz
Isolation:	50 dB min.
Insertion Loss:	
Port 1:	0.3 dB typ., 0.5 dB max.
Port 2:	0.4 dB typ., 0.5 dB max.
Group Delay:	2ns typ.
DC Pass:	Lower band Port 1 only
Power:	200 W avg., Port 1 100 W avg., Port 2
Impedance:	50Ω nom.
Environment:	-40° to +65°C, IP67 Outdoor
Connectors:	4.3-10 (f), 4-hole flange Trimetal Albaloy
Housing Finish:	Powder Coated Passivated Al

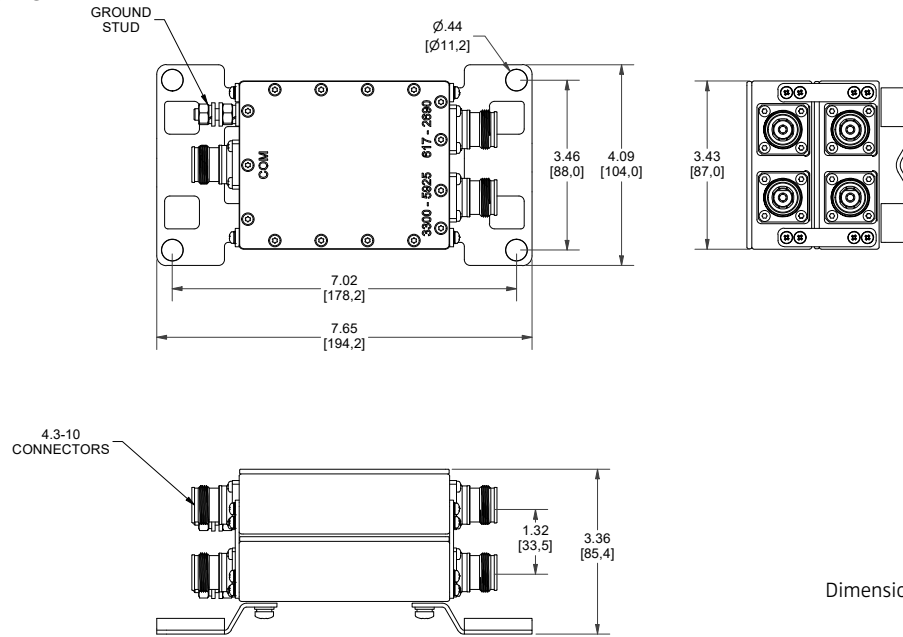
BK-263E Outline



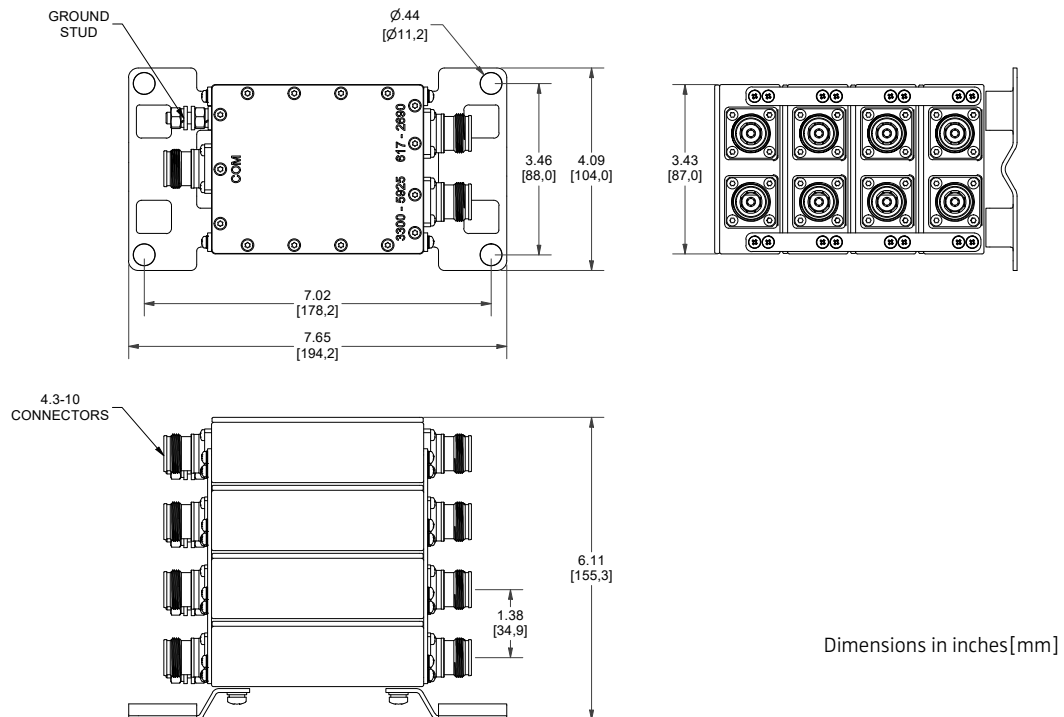
Note: Specifications are subject to change without prior notification.

10MAR2022

BK-263EW Outline



BK-263EQ Outline



Note: Specifications are subject to change without prior notification.