

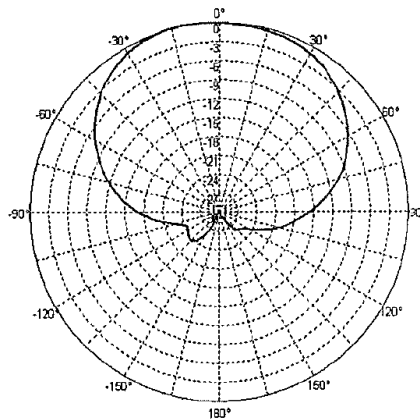


2.4/5 GHz 6 dBi Quad Patch Antenna with 6 RPTNC Plug Connectors

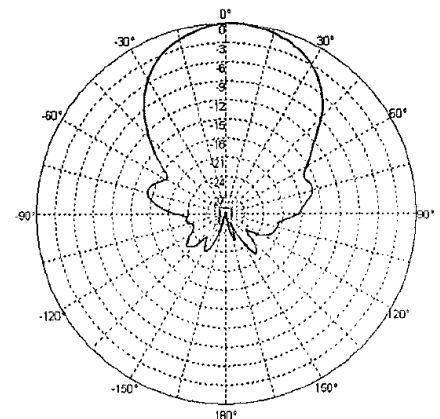
Ventev's TerraWave 2.4/5 GHz 6 dBi Quad Patch multiple-input and multiple-output (MIMO) antenna comes with six RPTNC Plug connectors and 36" cables. With dual-band leads, each cable supports both 2.4 and 5 GHz, making it an ideal antenna to support demanding outdoor applications in 802.11ac Waves I and II wireless communication systems. *All antennas are covered by a two-year TerraNet warranty program. For questions and to purchase product, contact Ventev at 800-851-4965 or sales@ventev.com.*



Specifications		
SKU	261287	
Model	M60600060P3D63602	
Frequency Range	2400 ~ 2500 MHz	5150 ~ 5850 MHz
Gain	6 dBi	
Vertical Beamwidth	$80^{\circ} \pm 20^{\circ}$	$45^{\circ} \pm 20^{\circ}$
Horizontal Beamwidth	$80^{\circ} \pm 20^{\circ}$	$45^{\circ} \pm 20^{\circ}$
VSWR	≤ 2.0	≤ 2.5
Front-to-back ratio	≥ 18	
Polarization	Vertical	
Max Power	100 Watts	
Connector	6X RPTNC Plug	
Pigtail Length	36" (w/ Connector)	
Dimensions	9.2" x 9.0" x 1.1"	
Weight	2.65 lbs	
Operating Temperature Range	-40°F to $+140^{\circ}\text{F}$	
Rated Wind Velocity	134.2 mph	
Mount Style	Wall or Mast/Pole	



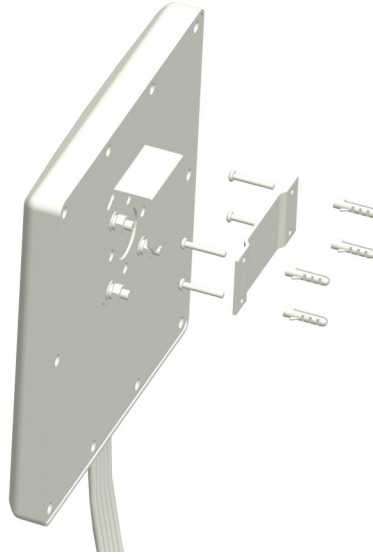
2.4 GHz



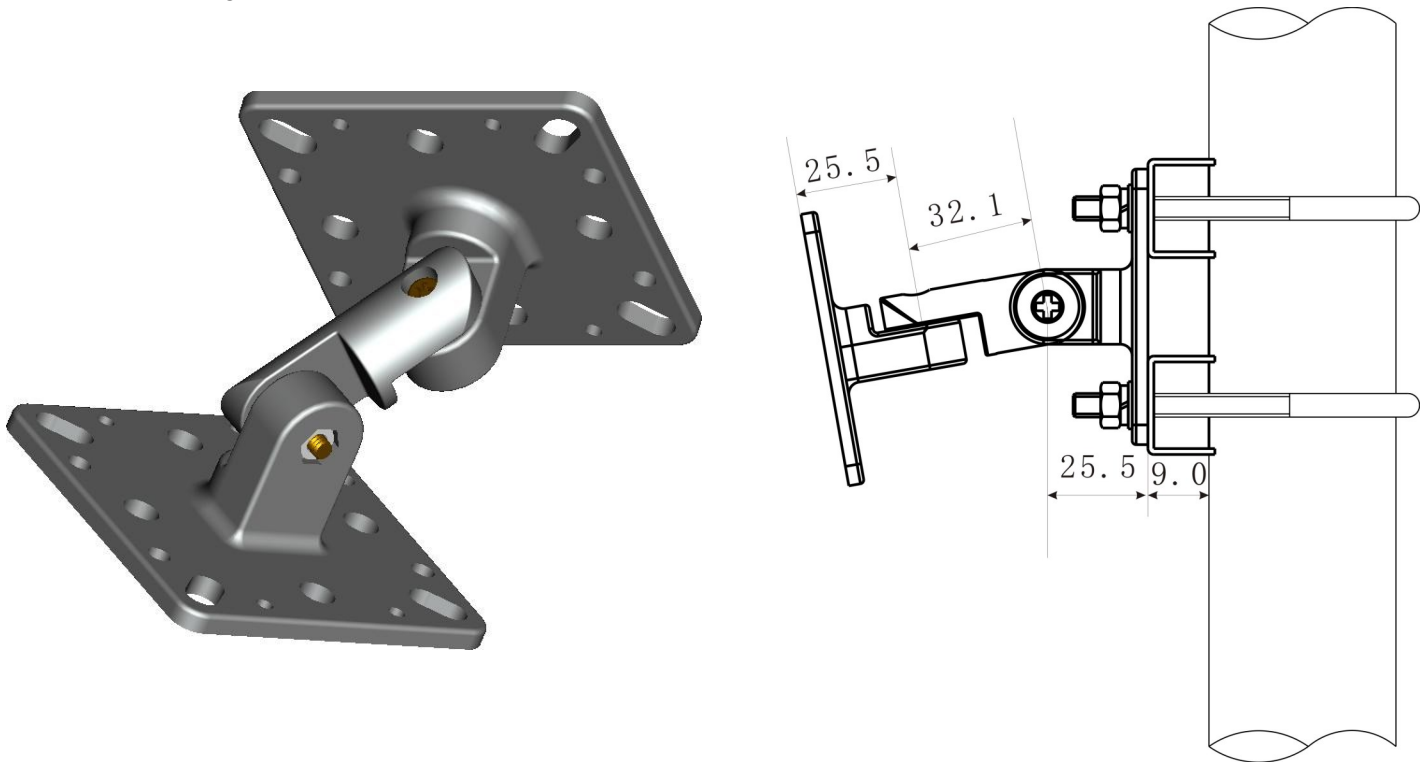
5 GHz

2.4/5 GHz 6 dBi Quad Patch Antenna with 6 RPTNC Plug Connectors

Wall Mount with screws:



Mast Mount with Articulating Mount:
Note: Articulating Mount can also be Wall Mounted



2.4/5 GHz 6 dBi Quad Patch Antenna with 6 RPTNC Plug Connectors

