

698 to 960 MHz + 1710 to 2700 MHz +
3400 to 4200 MHz Low PIM Indoor VH-pol Omni Antenna,
3 to 5 dBi, Ceiling Mount, 2 x Type N Female

KP-700-DPCUPR-5-NF



Features

- Low Passive Intermodulation (PIM) <-150 dBc @ 2x20W
- Vertical + Horizontal Polarization for MIMO
- Two N Female connector with 12 inch pigtailed
- Covers 5G, WiFi and LTE frequency bands including extended CBRS

Applications

- Indoor distribution of 5G, LTE, GSM/CDMA
- In-building public or private networks
- LPWAN, LoRA, LTE-M, NB-IoT, IoT, M2M applications
- DAS (DistributedAntennaSystems)
- Ceiling Mounts

Description

The KP Performance KP-700-DPCUPR-5-NF is a low PIM rated, high performance MIMO ceiling mount omnidirectional antenna specifically designed for in-building wireless networks such as DAS (Distributed Antenna Systems). KP Performance’s KP-700-DPCUPR-5-NF has 3 to 5 dBi gain and can be used to distribute Cellular and WiFi signals throughout a building or area.

The KP-700-DPCUPR-5-NF from KP Performance has omnidirectional patterns with V/H polarization and features Type N connectors. The key to providing the best performance in telecommunications is to ensure the components used are low PIM rated. This helps meet the increasing demand for higher data rates and the ability to provide streaming video for mobile devices. With a low PIM rating of <-150 dBc, the 698-4200 MHz KP-700-DPCUPR-5-NF helps meets the most demanding PIM requirements for 5G and LTE/4G bands. The KP-700-DPCUPR-5-NF operates from 698 to 4200 MHz which is ideal for 5G, LTE, CDMA, LPWAN/IoT/M2M applications including LoRA, LTE-M, and NB-IOT. The Multi-Band design of the KP Performance KP-700-DPCUPR-5-NF antenna eliminates the need to purchase different antennas for each frequency. This simplifies installations since the same antenna can be used for a wide array of in-building wireless applications where wide coverage is desired.

The Type N connectorized KP-700-DPCUPR-5-NF antenna from KP Performance is designed specifically for in-building operation and is ideal for use in large open areas such as indoor courtyards, indoor sporting venues, convention centers and shopping malls. The included mounting bracket and hardware makes this antenna very easy to install. This 5G Cellular antenna just like our wide selection of superior quality RF parts, ship same day. Contact our knowledgeable and friendly technical support and sales staff for your answers on antennas or other KP Performance products.

Configuration

Design	Ceiling
Band Type	Wide
Radiation Pattern	Omni Directional
Polarization	Vertical/Horizontal
Connector Type	N Female
Interface 2	N Female
Number of Ports	2

Electrical Specifications

Description	Minimum	Typical	Maximum	Units
Frequency Range	698		4,200	MHz
Impedance		50		Ohms
Gain		3	5	dBi

Click the following link (or enter part number in "SEARCH" on website) to obtain additional part information including price, inventory and certifications:
[698 to 960 MHz + 1710 to 2700 MHz + 3400 to 4200 MHz Low PIM Indoor VH-pol Omni Antenna, 3 to 5 dBi, Ceiling Mount, 2 x Type N Female KP-](#)

698 to 960 MHz + 1710 to 2700 MHz +
3400 to 4200 MHz Low PIM Indoor VH-pol Omni Antenna,
3 to 5 dBi, Ceiling Mount, 2 x Type N Female



KP-700-DPCUPR-5-NF

Input Power	50	Watts
Passive Intermodulation 3rd Order, 2 x 20 W	-150	

Specifications by Band

Description	Band 1	Band 2	Band 3	Band 4	Band 5	Units
Range	0.698 to 0.806	0.806 to 0.96	1.71 to 2.7	3.4 to 4.2		GHz
Gain	3	3.5	4.5	5		dBi
Horizontal HPBW	360	360	360	360		Degrees
Vertical HPBW	90	85	45	35		Degrees
Port to Port Isolation	17	17	20	25		dB
VSWR Max	2:1	2:1	2:1	2:1		
Maximum Input Power	50	50	50	50		Watts

Mechanical Specifications

Radome Material	ABS
Size	
Length	8.58 in [217.93 mm]
Width	8.58 in [217.93 mm]
Height	1.57 in [39.88 mm]
Weight	1.1 lbs [498.95 g]

Environmental Specifications

Temperature	
Operating Range	-55 to +60 deg C
Humidity	< 95

Plotted and Other Data

Notes:

Click the following link (or enter part number in "SEARCH" on website) to obtain additional part information including price, inventory and certifications:
698 to 960 MHz + 1710 to 2700 MHz + 3400 to 4200 MHz Low PIM Indoor VH-pol Omni Antenna, 3 to 5 dBi, Ceiling Mount, 2 x Type N Female KP-

698 to 960 MHz + 1710 to 2700 MHz +
3400 to 4200 MHz Low PIM Indoor VH-pol Omni Antenna,
3 to 5 dBi, Ceiling Mount, 2 x Type N Female

KP-700-DPCUPR-5-NF



Appendix

Electrical Downtilt: Angle in the antenna's elevation pattern in which the maximum gain occurs.

Gain: Antenna's average gain.

Front to Back Ratio @ 180°±30°: Average difference between the antenna's maximum gain and the maximum gain in the antenna's back lobe over ±30° angles.

Cross-polarization Ratio (dB): Typical difference between the co-polarization and cross-polarization gain across the sector's 3 dB Beam Width.

Dedicated to serving the needs of the Wireless Internet Service Provider (WISP) market, KP Performance Antennas offers purpose built products that reliably perform in the field. KP Performance Antennas product line consists of Yagi, Grid, Omni, Dish and other style antennas that operate in the 900 MHz, 2.4 GHz, 3 GHz, and 5 GHz frequencies.

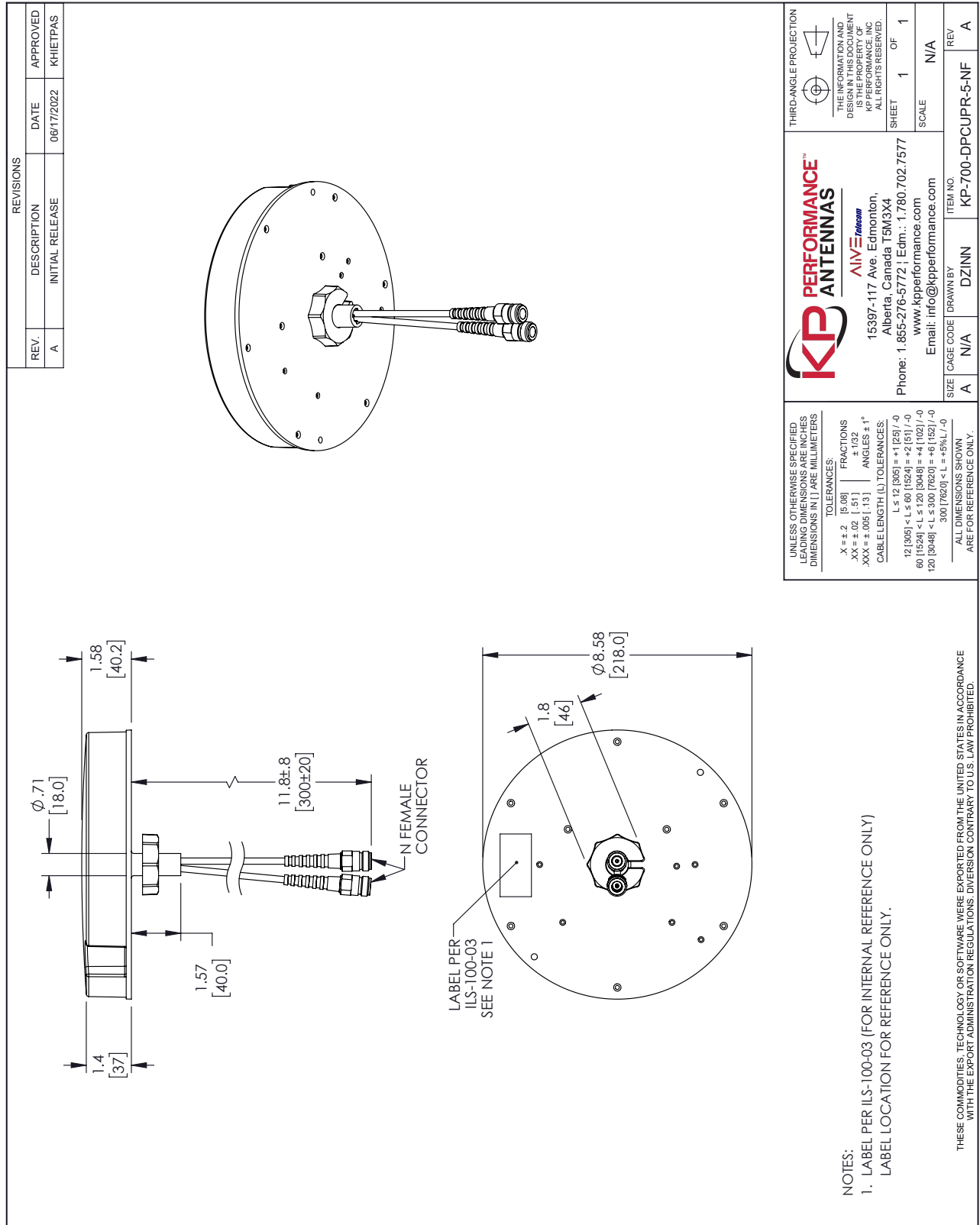
Click the following link (or enter part number in "SEARCH" on website) to obtain additional part information including price, inventory and certifications: [698 to 960 MHz + 1710 to 2700 MHz + 3400 to 4200 MHz Low PIM Indoor VH-pol Omni Antenna, 3 to 5 dBi, Ceiling Mount, 2 x Type N Female KP-700-DPCUPR-5-NF](#)

URL:

The information contained within this document is accurate to the best of our knowledge and representative of the part described herein. It may be necessary to make modifications to the part and/or the documentation of the part in order to implement improvements. KP Performance reserves the right to make such changes as required. Unless otherwise stated, all specifications are nominal. KP Performance does not make any representation or warranty regarding the suitability of the part described herein for any particular purpose, and KP Performance does not assume liability arising out of the use of any part or document.

698 to 960 MHz + 1710 to 2700 MHz + 3400 to 4200 MHz Low PIM Indoor VH-pol Omni Antenna, 3 to 5 dBi, Ceiling Mount, 2 x Type N Female

KP-700-DPCUPR-5-NF CAD Drawing



KP PERFORMANCE™ ANTENNAS
 AIVE™
 15397-117 Ave. Edmonton,
 Alberta, Canada T5M3X4
 Phone: 1.855-276-5772 | Edm.: 1.780.702.7577
 www.kpperformance.com
 Email: info@kpperformance.com

THIRD-ANGLE PROJECTION

THE INFORMATION AND DIMENSIONS SHOWN HEREIN IS THE PROPERTY OF KP PERFORMANCE, INC. ALL RIGHTS RESERVED.
 SHEET 1 OF 1
 SCALE N/A

SIZE	CAGE CODE	DRAWN BY	ITEM NO.
A	N/A	DZINN	KP-700-DPCUPR-5-NF

REV A