

41AENT-GE

TNC Female for 1/4 in FSJ1-50A cable



Product Classification

Product Type	Wireless and radiating connector
Product Brand	HELIAX®

General Specifications

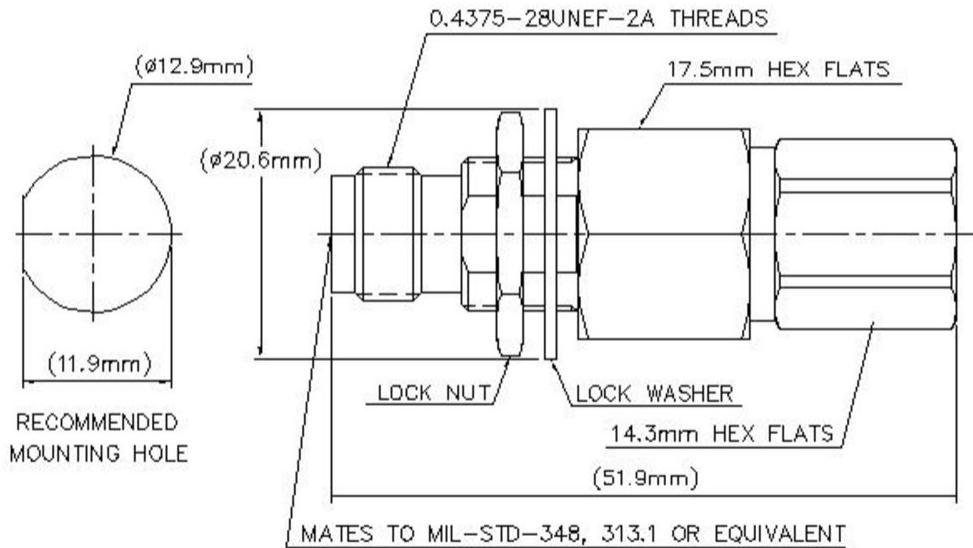
Body Style	Straight
Cable Family	FSJ1-50A
Inner Contact Attachment Method	Captivated
Inner Contact Plating	Gold
Interface	TNC Female
Mounting Angle	Straight
Outer Contact Attachment Method	Tab-flare
Outer Contact Plating	Trimetal
Pressurizable	No

Dimensions

Width	20.57 mm 0.81 in
Length	51.82 mm 2.04 in
Diameter	20.57 mm 0.81 in
Nominal Size	1/4 in

Outline Drawing

41AENT-GE



Electrical Specifications

3rd Order IMD at Frequency	-102 dBm @ 910 MHz
3rd Order IMD Test Method	Two +43 dBm carriers
Average Power at Frequency	396.0 W @ 900 MHz
Cable Impedance	50 ohm
Connector Impedance	50 ohm
dc Test Voltage	1500 V
Inner Contact Resistance, maximum	1.5 mOhm
Insulation Resistance, minimum	5000 MOhm
Operating Frequency Band	0 – 18000 MHz
Outer Contact Resistance, maximum	0.4 mOhm
Peak Power, maximum	5 kW

41AENT-GE

RF Operating Voltage, maximum (vrms)	500 V
Shielding Effectiveness	-110 dB

VSWR/Return Loss

Frequency Band	VSWR	Return Loss (dB)
45–3600 MHz	1.15	23.13
3600–7200 MHz	1.2	20.83
7200–10800 MHz	1.2	20.83
10800–14400 MHz	1.29	17.95
14400–18000 MHz	1.92	10.04

Mechanical Specifications

Attachment Durability	500 cycles
Connector Retention Tensile Force	449.27 N 101 lbf
Insertion Force	27.98 N 6.29 lbf
Insertion Force Method	IEC 61169-17:9.3.5
Interface Durability	500 cycles
Interface Durability Method	IEC 61169-17:17
Mechanical Shock Test Method	IEC 60068-2-27

Environmental Specifications

Operating Temperature	-55 °C to +85 °C (-67 °F to +185 °F)
Storage Temperature	-65 °C to +125 °C (-85 °F to +257 °F)
Attenuation, Ambient Temperature	20 °C 68 °F
Average Power, Ambient Temperature	40 °C 104 °F
Average Power, Inner Conductor Temperature	100 °C 212 °F
Corrosion Test Method	IEC 60068-2-11
Immersion Depth	1 m
Immersion Test Mating	Mated
Immersion Test Method	IEC 60529:2001, IP68
Moisture Resistance Test Method	IEC 60068-2-3
Thermal Shock Test Method	IEC 60068-2-14
Vibration Test Method	IEC 60068-2-6

41AENT-GE

Packaging and Weights

Weight, net

56.68 g | 0.125 lb

Regulatory Compliance/Certifications

Agency

ISO 9001:2015

Classification

Designed, manufactured and/or distributed under this quality management system



* Footnotes

Immersion Depth

Immersion at specified depth for 24 hours