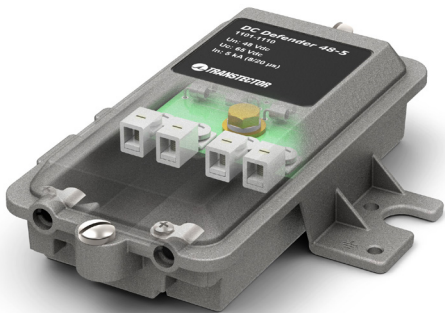


## Installation Instructions

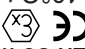
### DC Defender



+1 (800) 882-9110 | +1 (208) 635-6400 | [www.transtector.com](http://www.transtector.com)

© 2022 Infinite Electronics, Inc. Transtector is a registered trademark of Infinite Electronics, Inc. | 1200-431 REV F

- Warning!**
1. Important safety instructions. Read and understand all instructions before installing this product. Save these instructions for future reference.
  2. The suppressor will interrupt communications in the event of self-sacrifice.
  3. Installation shall be performed by qualified electrical technician only.
  4. EXPLOSION HAZARD. Do not disconnect while circuit is live or unless the area is known to be free of ignitable concentrations of flammable gases or vapors.
  5. Substitution of any internal component is prohibited and may impair suitability for hazardous locations.
  6. For outdoor or hazardous location applications, outdoor rated 2 conductor cable (outer diameter: 0.25" to 0.30") is required.
- Avvertissement**
1. Consignes de sécurité importantes. Veuillez lire et comprendre toutes les consignes avant d'installer ce produit. Conservez ces consignes pour les consulter plus tard.
  2. Le dispositif anti-parasite interrompra les communications en cas d'abnégation.
  3. L'installation doit uniquement être effectuée par un électricien qualifié.
  4. RISQUE D'EXPLOSION. Ne débranchez pas le produit si le circuit est sous tension. Débranchez-le uniquement si vous êtes sûr que la zone est exempte de concentrations inflammables de gaz ou de vapeurs combustibles.
  5. Le remplacement d'un composant interne est interdit et risque de nuire à son adaptation aux zones dangereuses.

This product is rated IP54 and is suitable for use in the following hazardous locations:  
 Class I Division 2 Groups A, B, C, D T4  
 Class I Zone 2 AEX ec IIC T4 Gc  
 EX ec IIC T4 Gc  
 II 3 G EX ec IIC T4 Gc  
 -40°C to +65°C  
 ITS15ATEX48178X, ETL14CA101861925X  
 Conforms to UL/EN/IEC 60079-0, UL/EN/IEC 60079-15, UL/IEC 60950-22, UL 60950-1, UL 121201, CSA C22.2 #60950-1 and CSA C22.2 #213.

Thank you for your recent purchase of our surge protection solution. Your satisfaction with our product and service is important to us. If you have any questions, comments or concerns, please contact us at 800.882.9110 or visit our website at [www.transtector.com](http://www.transtector.com). We look forward to continuing to serve your protection needs.

# Installation Instructions

## DC Defender

### INSTALLATION NOTES

1. The DC Defender (60 Vdc Max, 15 A) is intended to be installed indoors or outdoors, on wall or pole mount applications. The unit features mounting feet on the sides that mount on 4" center-to-center holes with #10 sized hardware. The mount foot also adapts to 4" diameter pole mounting kits with a 4.5" center-to-center holes and larger hardware. Refer to figure 1 for mechanical requirements and connector locations. The optimum ground connection on the metal enclosure unit at the mounting flange on either side is shown in Figure 2. Use minimum 8 AWG wire for a ground reference attachment. DC input and output wires shall be routed through the strain relief at the cable openings. Be sure to install the cables with the unprotected cable installed into the left two terminal lugs and the protected equipment cable in the right two terminal lugs. Positive polarity on the pairs of terminal lugs is located on the left. The enclosure features a built in cable retention that grips the cable with a screw down bracket. A pole mount adapter kit (p/n 1000-1164) is available to meet installations in a wide range of pole diameters from 2" metal fence poles to 10" diameter utility poles.
2. Mount the device as close to the equipment to be protected as possible using the provided hardware. Mount the unit in the orientation shown, with the strain reliefs facing the ground.

### INSTALLATION INSTRUCTIONS

1. Remove the cover by removing the screws on the front of the unit.
2. Mount the unit to an outside surface using the two mounting holes shown in Figure 1.
3. Connect the unit using 14 AWG - 10 AWG two wire conductor secured with the terminal lugs. Torque terminal lug screws to 25 in-lbf.
4. Attach appropriate wire gauge for ground wire, as short as possible (less than 3 feet), between the unit and the site grounding point using 1/4" hardware provided in the location shown in Figure 2. Torque to 40-45 in-lbf. Refer to local codes and equipment manufacturers' standards before installation.
5. Replace cover and secure with the two screws removed in step 1. Torque to 40-45 in-lbf.

### CABLE REQUIREMENTS

If the DC Defender is used in a Hazardous Location, the following cable requirements must be met:

1. The cable must be 2 conductor, 14-10 AWG, Outdoor Rated (-40°C to +80°C)
2. The outer diameter of the cable must be .250-.300 inches.
3. The outer jacket material must be PVC

### USAGE AND MAINTENANCE

The SPD should be scheduled for periodic inspection to ensure the SPD is operational and all wire connections are tight.

If the SPD is damaged, contact Transtector for replacement.

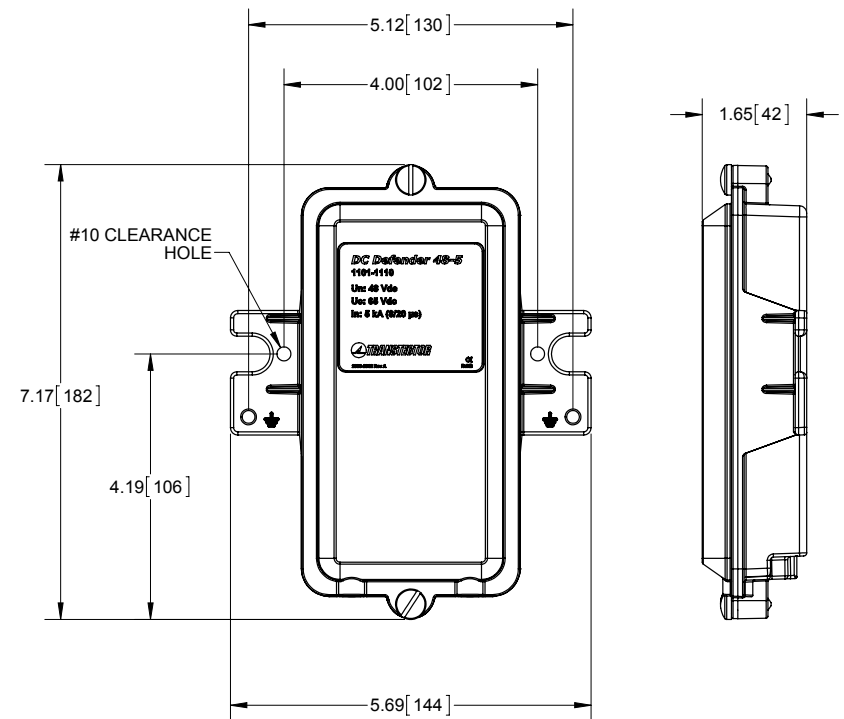


Figure 1 - Mechanical outline drawing (inches [mm])

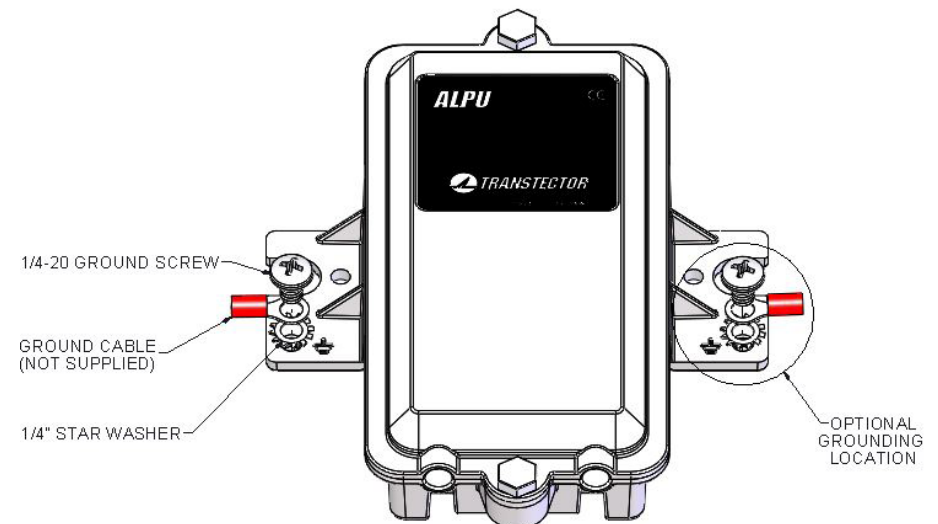


Figure 2 - Ground Cable Installation