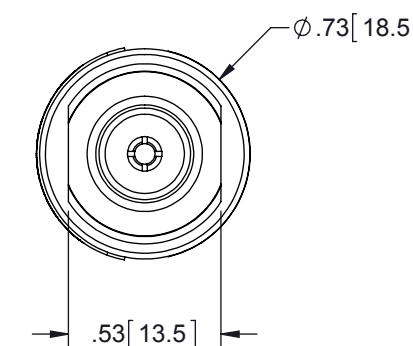
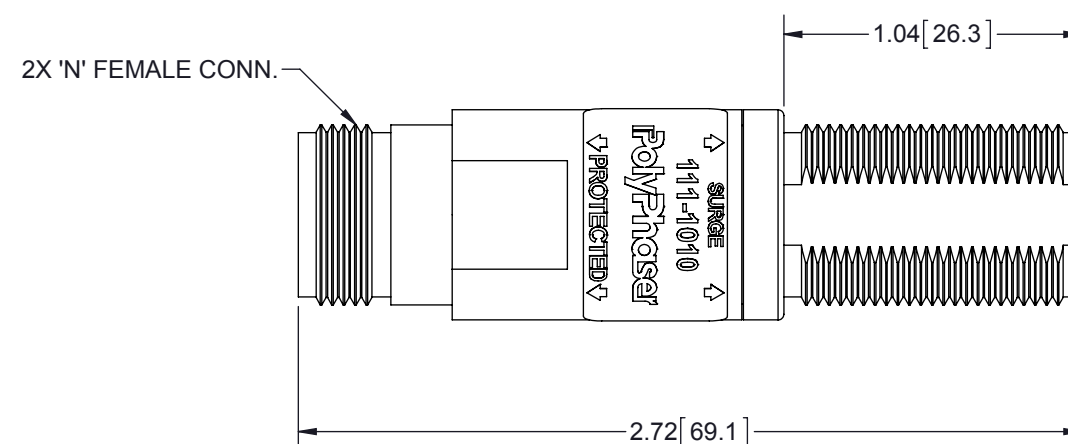
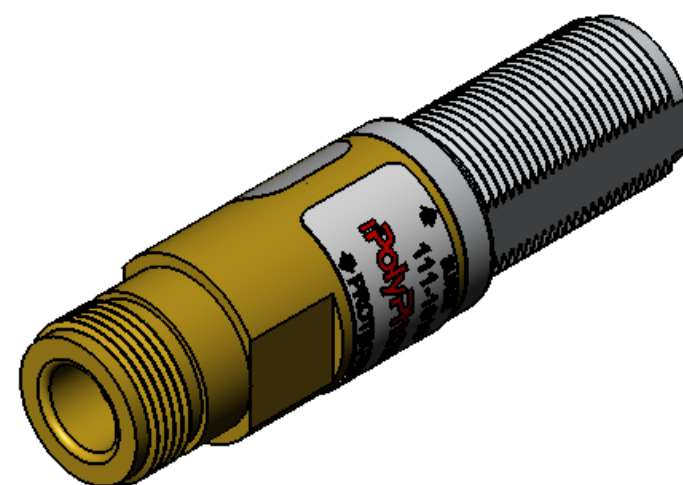


REVISIONS				
REV.	DESCRIPTION	ECN	DATE	APPROVED
A	NEW RELEASE		11/22/11	CP



**MAXIMUM CHARACTERISTICS**

**APPLICATION:**  
BULKHEAD MOUNT/TRI-M PLATED BRASS CONST. WEATHERPROOF WHEN INSTALLED

**SURGE:**  
10kA IEC 61000-4-5 8/20μs WAVEFORM

**FREQUENCY RANGE:**  
2.0GHz TO 6.0GHz

**VSWR:**  
≤1.2 TO 1 TYP (≤1.3 TO 1 MAX)

**INSERTION LOSS:**  
≤0.1dB TYP (≤0.2dB MAX)

**RETURN LOSS:**  
≥20dB TYP

**CONTINUOUS POWER:**  
10W

**LET THROUGH VOLTAGE:**  
≤±3 VOLTS FOR 3kA @ 8/20μs WAVEFORM

**THROUGHPUT ENERGY:**  
≤0.5μJ FOR 3kA @ 8/20μs WAVEFORM

**VIBRATION:**  
1G @ 5Hz TO 100Hz

**TEMPERATURE:**  
-40°C TO +85°C STORAGE/OPERATING

**ENVIRONMENTAL:**  
IEC 60529 IP65  
BELLCORE TA-NWT-000487 PROC 4.11  
120MPH WIND DRIVEN RAIN INTRUSION TEST  
RoHS COMPLAIANT

CUSTOMER APPROVAL: \_\_\_\_\_ DATE: \_\_\_\_\_

ALL DIMENSIONS SHOWN ARE FOR REFERENCE ONLY.

UNLESS OTHERWISE SPECIFIED LEADING DIMENSIONS ARE INCHES DIMENSIONS IN [ ] ARE MILLIMETERS		DRAWN RD 10/11/11			
TOLERANCES: FRACTIONS=± 1/32 .XX=± .01 ANGLES=± 1° .XXX=± .005		ENG APPD CP 11/22/11			
MATERIAL		PRODUCT MGR CP 11/22/11			
THIRD-ANGLE PROJECTION 		MARKETING APPD LJ 11/30/11			
PROJECT NO.			TITLE CUSTOMER PRINT		
NOTICE: THE INFORMATION AND DESIGN IN THIS DOCUMENT IS THE PROPERTY OF TRANSECTOR SYSTEMS. ALL RIGHTS RESERVED.			CUSTOMER SPECIFICATION		
SIZE B	CAGE 61114	PART NUMBER 111-1010	REV A		
SCALE 1:1	PROD CAT RFP	DOCUMENT NAME 111-1010-C	SHEET 1	OF 1	

THESE COMMODITIES, TECHNOLOGY OR SOFTWARE WERE EXPORTED FROM THE UNITED STATES IN ACCORDANCE WITH THE EXPORT ADMINISTRATION REGULATIONS. DIVERSION CONTRARY TO U.S. LAW PROHIBITED.