



INSTALLATION INSTRUCTIONS

Product
7160-0995
7160-0996

Revision
Rev.A

Form
INST-816

Printing Spec:PS-004

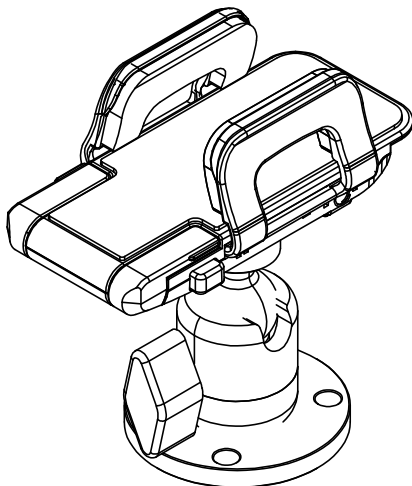
MAX 3 CELL PHONE CRADLE W/BASE PLATE
MAX 3 CELL PHONE CRADLE W/MAGNETIC BASE

This instruction sheet is for the Cell Phone Cradle W/Base Plate and the Cell Phone Cradle W/Magnetic Base only. For instructions on features, set-up, and operation of the Cell Phone, GPS, or Music Device, please refer to the manual provided by with those products.

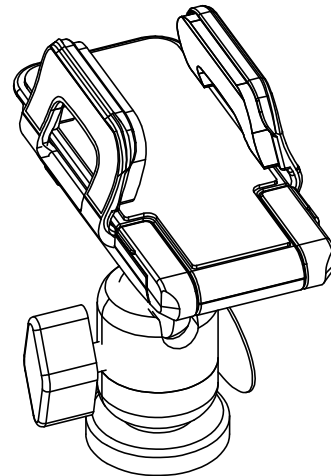
This cradle is designed to be used with a variety of Gamber-Johnson mounting systems. Installation instructions for other Gamber-Johnson products are provided with each individual product.

WARNING: Very strong magnets. • Fingers could be severely pinched between two or more magnets. • Neodymium Magnets are BRITTLE. • They can SHATTER, CRACK, PEEL or SPLINTER if allowed to snap together or slam into a metal object. • Broken magnets can be Extremely SHARP. • MAGNETIC MEDIA AND ELECTRONIC EQUIPMENT HAZARD. • KEEP AWAY from PACEMAKERS AND INTERNAL MEDICAL DEVICES. • Neodymium magnets will lose their magnetic properties if heated above 175°F (80° C). • Do Not cut or drill Neodymium Magnets, there is a both a fire and fracture hazard and the dust is toxic.

7160-0995
(Cell Phone Cradle W/Base Plate)



7160-0996
(Cell Phone Cradle W/Magnetic Base)

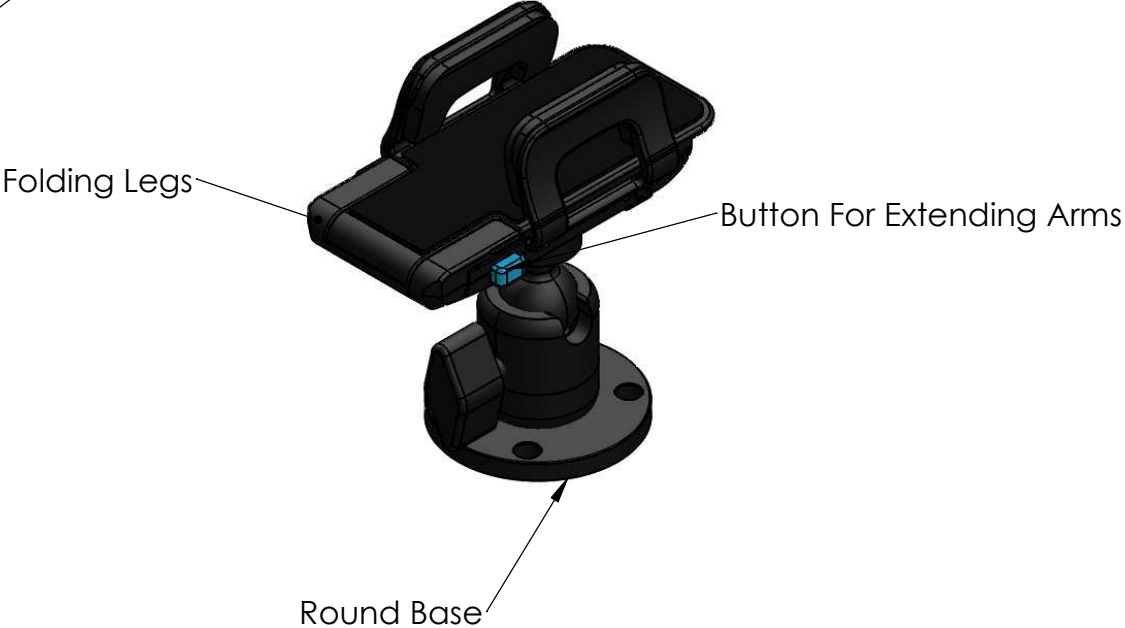
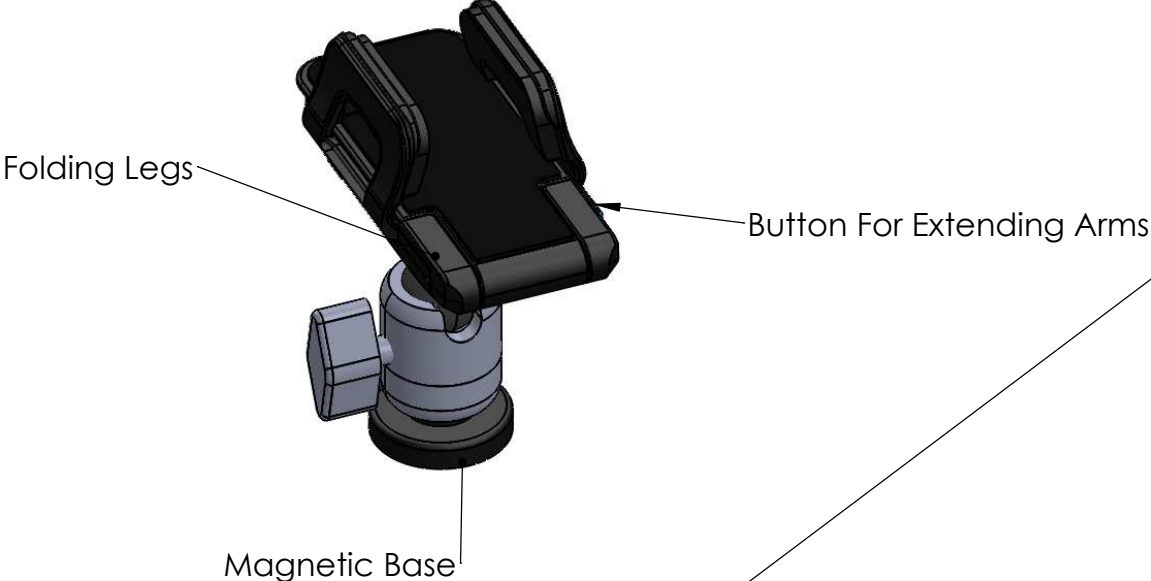


Product Mounting Disclaimer
Gamber-Johnson is not liable under any theory of contract or tort law for any loss, damage, personal injury, special, incidental or consequential damages for personal injury or other damage of any nature arising directly or indirectly as a result of the improper installation or use of its products in vehicle or any other application. In order to safely install and use Gamber-Johnson products full consideration of vehicle occupants, vehicle systems (i.e., the location of fuel lines, brakes lines, electrical, drive train or other systems), air-bags and other safety equipment is required. Gamber-Johnson specifically disclaims any responsibility for the improper use or installation of its products not consistent with the original vehicle manufactures specifications and recommendations, Gamber-Johnson product instruction sheets, or workmanship standards as endorsed through the Gamber-Johnson Certified Installer Program.

© Copyright 2017 Gamber-Johnson, LLC

If you need assistance or have questions, call Gamber-Johnson at 1-800-456-6868

CELL PHONE CRADLE FEATURE IDENTIFICATION



DOCKING AND UNDOCKING THE DEVICE

TO DOCK THE DEVICE

1. Optional Flip Feet Down.
2. Press Blue Button to Extend Arms
3. Dock Device
4. Squeeze Arms to Secure Device



Figure 1

STEP 1

Figure 2

STEP 2



Figure 3

STEP 3



Figure 4

TO UNDOCK THE DEVICE

1. Press the Blue Button
2. Remove Device

STEP 4



Figure 5