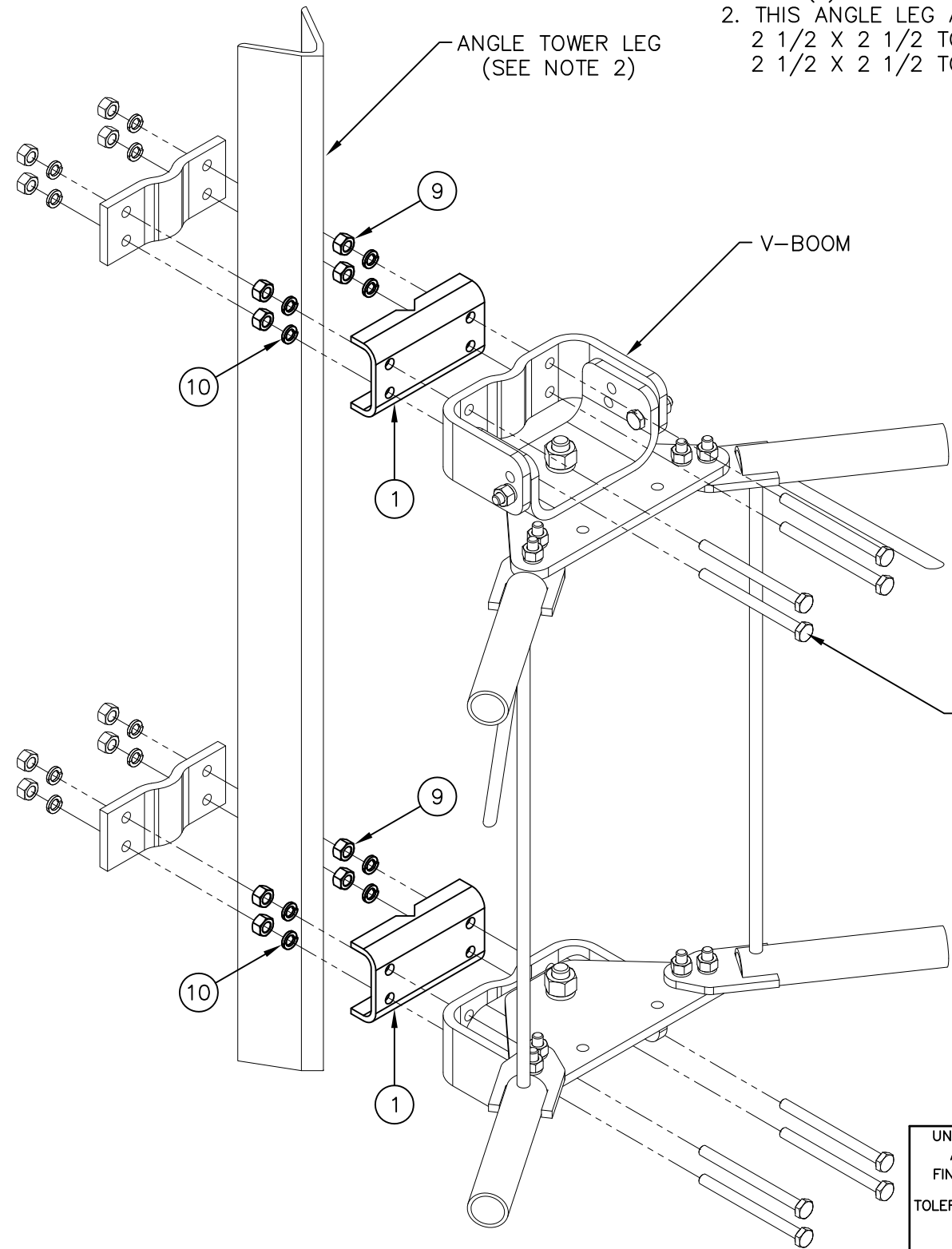




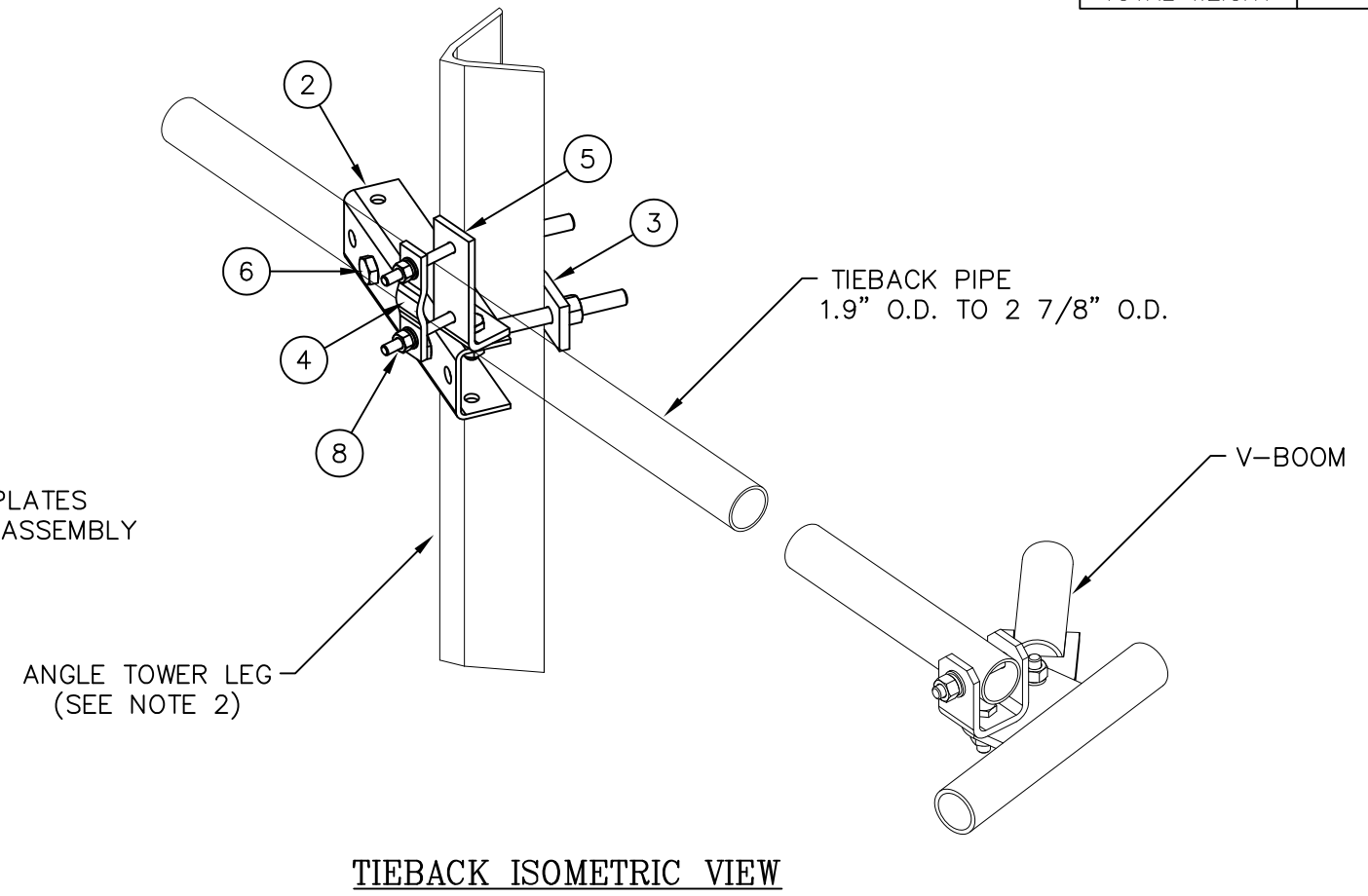
**NOTES:**

1. QUANTITIES SHOWN IN LIST OF MATERIAL ARE FOR ONE (1) V-BOOM ONLY.
2. THIS ANGLE LEG ADAPTER FITS THE FOLLOWING LEG SIZES  
 2 1/2 X 2 1/2 TO 5 X 5 (60° ANGLE LEGS)  
 2 1/2 X 2 1/2 TO 4 X 4 (90° ANGLE LEGS)

C10171010 ANGLE LEG ADAPTER W/TIEBACK FOR V-BOOMS				
ITEM	QTY.	PART NO.	DESCRIPTION	WEIGHT
1.	2	CS03393	PLATE, MOUNTING BRACKET (ANGLE LEG ADAPTER)	14
2.	1	CS01360	PLATE, MOUNTING BRACKET (FORMED CHANNEL)	9
3.	1	CS01361	PLATE, 2 HOLE ADAPTER CLAMP	3
4.	1	CS02648	PLATE, 2 HOLE ADAPTER CLAMP	1
5.	1	ZS08934	FLAT, TIEBACK CLIP (FORMED ANGLE)	2
6.	2	C40140001	BOLT ASSEMBLY, 3/4 $\phi$ X 10 A307 (FULL THREAD)	4
7.	1	C40026022	BOLT ASSEMBLY, 5/8 $\phi$ X 1 3/4 A325	1
8.	2	C40128026	BOLT ASSEMBLY, 1/2 $\phi$ X 4 1/2 A307 (FULL THREAD)	1
9.	8	C40027031	NUT, FINISHED 5/8 $\phi$ ASTM A563 GRADE A HDG	1
10.	8	C40030012	LOCKWASHER, 5/8 $\phi$	1
TOTAL WEIGHT				37



**V-BOOM CONNECTION TO LEG  
EXPLODED VIEW**



**TIEBACK ISOMETRIC VIEW**

UNLESS OTHERWISE SPECIFIED ALL DIMENSIONS INCLUDE FINISHES AND ARE IN INCHES		MATERIAL:	
TOLERANCES: FRACTIONS $\pm 1/16"$ ANGLES $\pm 1/2$ DEG. DECIMALS $\pm .010"$		TOLERANCES DO NOT APPLY TO RAW MATERIAL	
REV	DATE	DRWCHK	DESCRIPTION

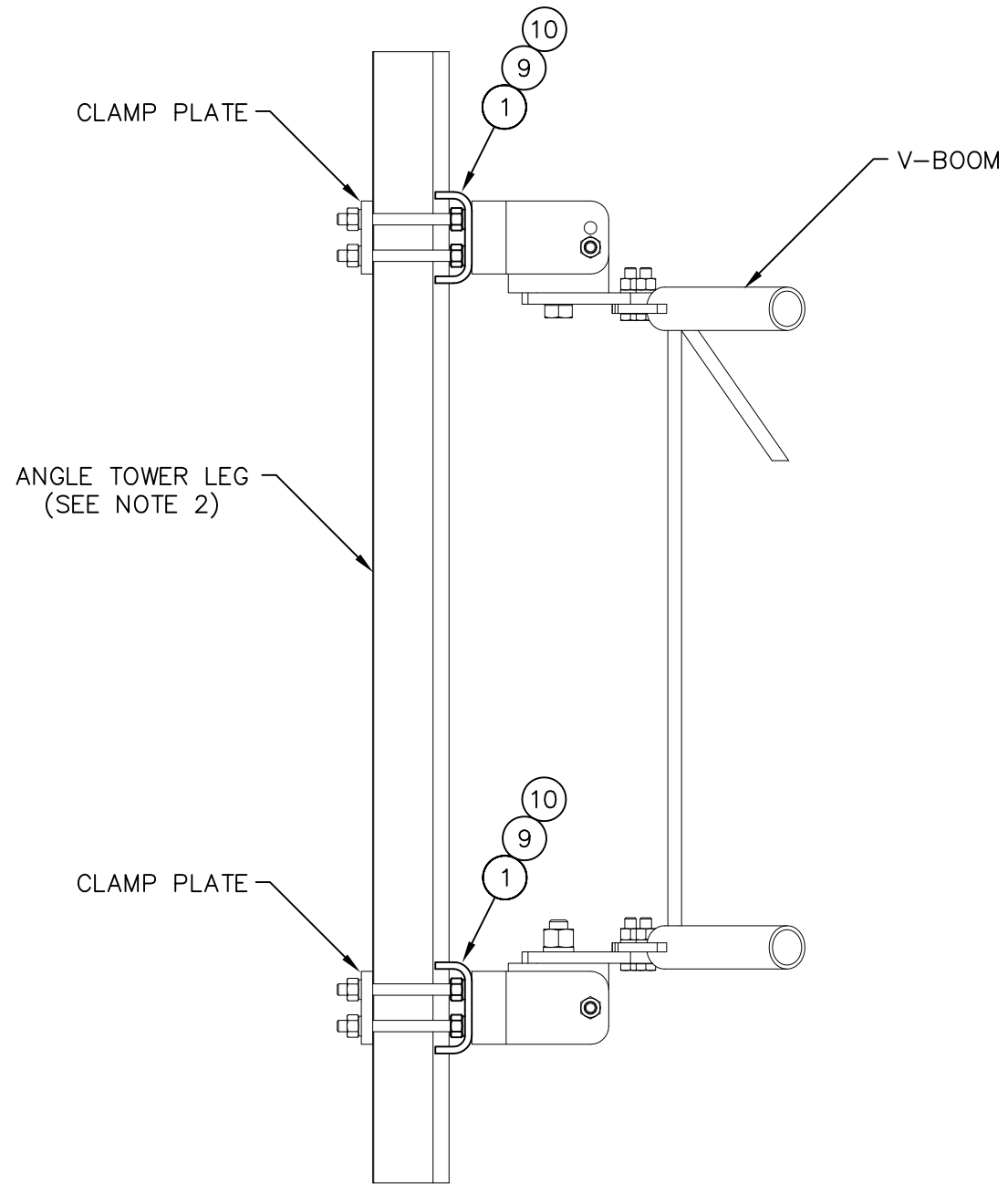
**Sabre Industries™**  
Towers and Poles

**CONFIDENTIAL**

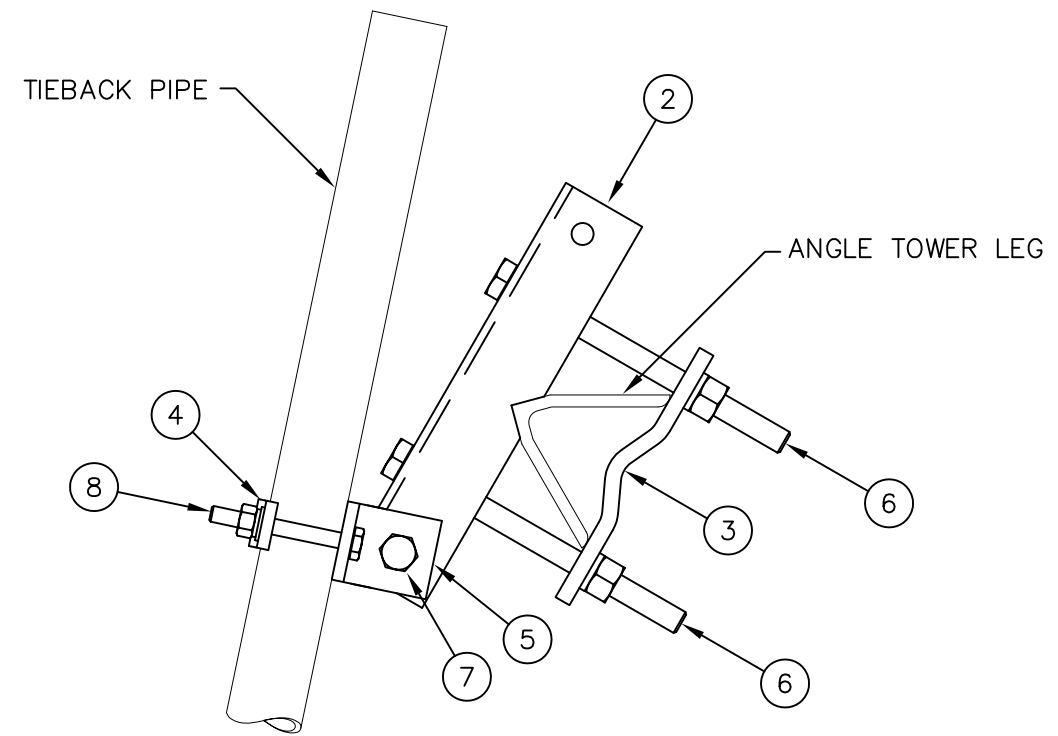
This document and the information contained herein is the confidential trade secret property of Sabre Communications Corporation ("Sabre") and must not be reproduced, copied or used, in whole or in part, for any purpose without the prior written consent of Sabre.

© 2016 Sabre Communications Corporation. All rights reserved.

<b>ANGLE LEG ADAPTER W/TIEBACK FOR V-BOOMS</b>			
DATE	06/14/16	SIZE	B
DRAWN BY	WRF	DRAWING NO.	C10171010
CHECKED BY	KLE	SCALE	None
		REV	0
		PAGE	1 OF 2



**V-BOOM CONNECTION TO LEG  
SIDE VIEW**



**TIEBACK TOP VIEW**

UNLESS OTHERWISE SPECIFIED  
ALL DIMENSIONS INCLUDE  
FINISHES AND ARE IN INCHES

TOLERANCES: FRACTIONS  $\pm 1/16"$   
ANGLES  $\pm 1/2$  DEG.  
DECIMALS  $\pm .010"$

MATERIAL:

TOLERANCES DO NOT APPLY  
TO RAW MATERIAL



**ANGLE LEG ADAPTER W/TIEBACK  
FOR V-BOOMS**

REV	DATE	DRWCHK	DESCRIPTION

**CONFIDENTIAL**  
This document and the information contained herein is the confidential trade secret property of Sabre Communications Corporation ("Sabre") and must not be reproduced, copied or used, in whole or in part, for any purpose without the prior written consent of Sabre.  
© 2016 Sabre Communications Corporation. All rights reserved.

DATE	06/14/16	SIZE B	DRAWING NO. C10171010	REV 0
DRAWN BY	WRF			
CHECKED BY	KLE	SCALE None	PAGE 2 OF 2	