

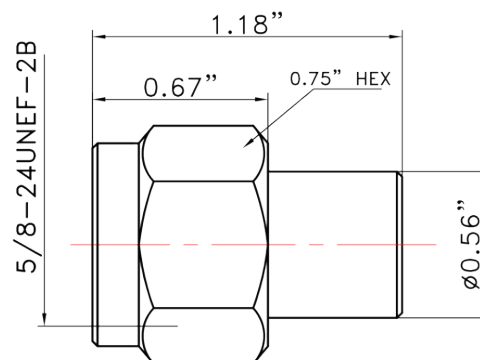
- ◆ Low profile, Resistive Load
- ◆ 2W standard
- ◆ VSWR to 1.17:1 at DC - 4 GHz
- ◆ High Peak Power
- ◆ RoHS compliant
- ◆ For Mobile Equipment Application



Microlab TA-5MN terminations are low profile, low power coaxial loads, operating from DC to 18 GHz. They are designed with a resistive film terminating element, contained within a carefully matched coaxial housing.

Applications include terminating mobile equipment antenna connections for testing purposes.

| | |
|------------------|--|
| Frequency: | DC to 18 GHz |
| VSWR: | <1.17:1 (DC - 4 GHz) <1.34:1 (4 - 6 GHz) |
| Impedance: | 50Ω nominal |
| Average Power: | 2 Watt @ 25°C (Derated Linearly to 1W @ +125°C) |
| Environment: | -55 to +125°C |
| Connector: | N (m) |
| Finish | |
| Body: | Ternary-alloy Plated Brass |
| Center Contact: | Brass, Gold Plated |
| Weight, nominal: | 1.350 oz (38.3g) |



Dimension in inches

Note: Specifications are subject to change without prior notification.

24JAN2018