

# Y42700WB

## Wideband Yagi Antenna 9 Elements, 600-6000 MHz

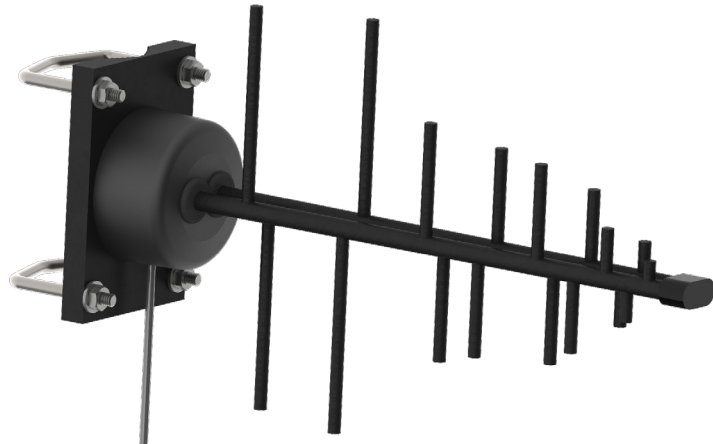
### PRODUCT OVERVIEW

**High Performance:**  
 This 9 element yagi antenna provides excellent wide band performance.

**Rugged and weatherproof:**  
 Our hybrid radome construction provides excellent weather protection for our driven element. The radome is constructed of UV inhibited ABS. The heavy duty mounting plate is extruded aluminum. Stainless steel V bolts are provided for long term reliability and resistance to corrosion. The elements are welded to the boom to provide excellent stability and intermod resistant operation.

**Lightweight and Durable:**  
 This yagi antenna is easily installed by one person, yet is designed to withstand 125 MPH winds.

**Termination Options:**  
 Type A: 12" Teflon pigtail with N -female (Jack) connector.



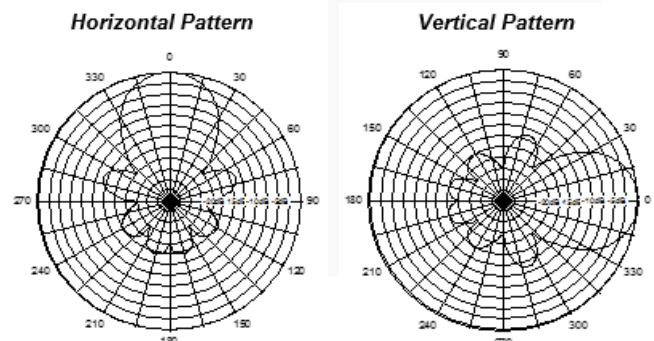
### ELECTRICAL SPECIFICATIONS

Frequency/Gain	600-4200 MHz, 14 dBi 4200-6000 MHz, 6 dBi
Polorization	Vertical
VSWR	<2:1
Front to Back Ratio	20 dB
Impedence	50 Ohm
Beamwidth	40 degrees Vertical, 40 degrees Horizontal
Power Rating	150 Watts

### MECHANICAL SPECIFICATIONS

Material	Aluminum Booms, 3/16" solid welded elements
Connector	12" Pigtail with N Female (Jack)
Radome	3" UV Inhibited ABS
Length	18.5" (47cm)
Weight	2 lbs
Mounting	2 1/2" Mast (Max.)
Wind Rating	125 mph
Wind Load	8.1 lbs

### Radiation Pattern



Comtelco Antennas now a Mobile Mark Brand