

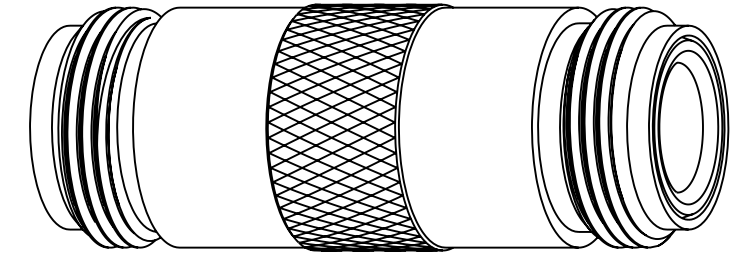
NOTES:

1. MATERIALS AND FINISHES:
 BODY - BRASS, NICKEL PLATING
 CONTACT - BeCu, SILVER PLATING (200 MICROINCHES MINIMUM)
 INSULATOR - PTFE
2. ELECTRICAL:
 A. IMPEDANCE: 50 OHM
 B. FREQUENCY RANGE: DC - 11 GHz
3. MECHANICAL:
 A. TEMPERATURE RANGE: -65° C TO +165° C

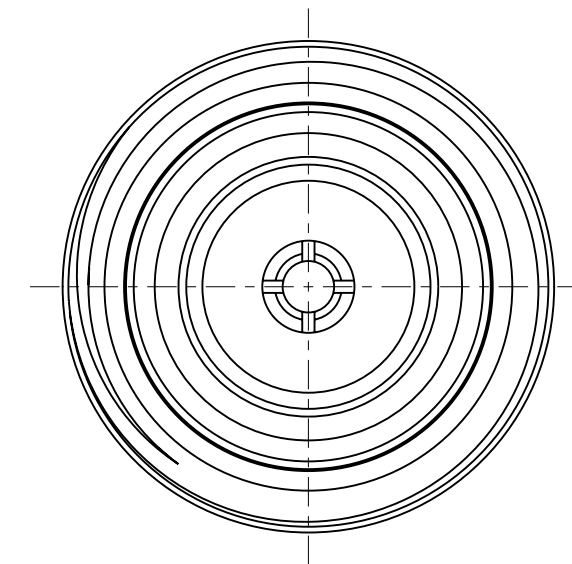
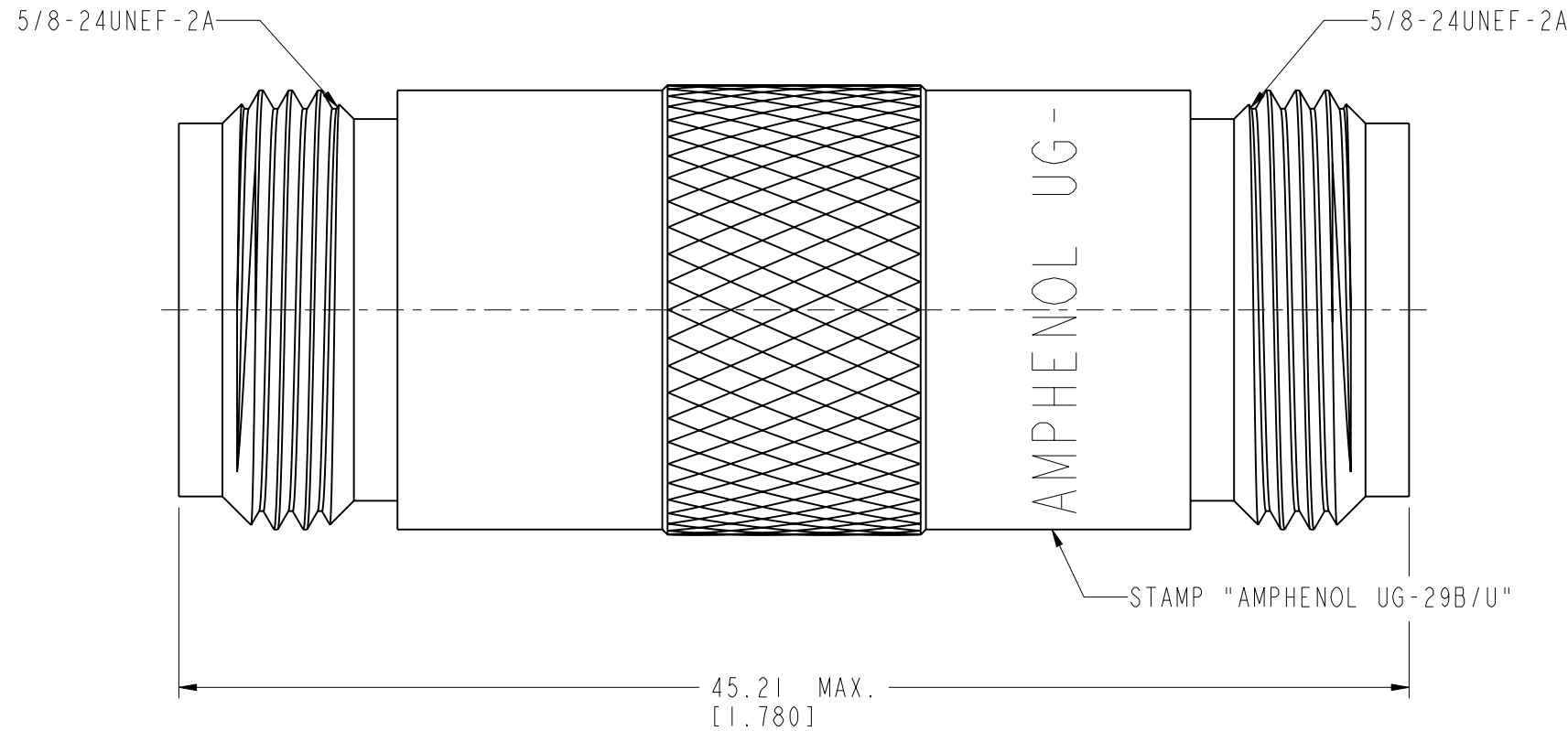
THIRD ANGLE PROJ.

REVISIONS

| REV | DESCRIPTION | DATE | ECO | APPR |
|-----|--|-----------|-------|------|
| | RELEASE TO MFG | | | |
| U | ADDED COD; STAMP "AMPHENOL" WAS "74868" \RD-DMI2092001R3 | 19-Oct-12 | 49078 | SH |
| V | ADDED SILVER PLATING THICKNESS NOTES | 20-Oct-15 | 50667 | MM |



SCALE 2.000



CUSTOMER OUTLINE DRAWING

ALL OTHER SHEETS ARE FOR INTERNAL USE ONLY

| | | | | | |
|---|------------------------------------|----------------------|-------------------|---|---|
| UNLESS OTHERWISE SPECIFIED, DIMENSIONS ARE IN METRIC AND TOLERANCES ARE: <0.5mm ±0.05mm 0.5 - 6mm ±0.1mm 6 - 30mm ±0.2mm 30 - 120mm ±0.3mm ANGLES ±1° | MATERIAL | DRAWN R. MAO | DATE 19-Jul-12 | TITLE N ADAPTER JACK TO JACK UG-29B/U | Amphenol RF www.amphenolrf.com |
| | REFERENCE AND CONFIGURATION LEVEL: | ENGINEER S. LI | DATE 19-Jul-12 | | |
| NOTICE - These drawings, specifications, or other data (1) are, and remain the property of Amphenol corp. (2) must be returned upon request; and (3) are confidential and not to be disclosed to any person other than those to whom they are given by Amphenol Corp. the furnishing of these drawings, specifications, or other data by Amphenol Corp., or to any other person to anyone for any purpose is not to be regarded by implication or otherwise in any manner licensing, granting rights to permitting such holder or any other person to manufacture, use or sell any product, process or design, patented or otherwise, that may in any way be related to or disclosed by said drawings, specifications, or other data. | FINISH | APPROVED S. HSIEH | DATE 20-Oct-15 | SCALE: 4.0:1.0 SHEET 2 OF 2 | ITEM NO. 82-101 |
| | | CAD FILE | | | DWG SIZE B REV V |